



**Hastings**  
**Tile & Bath**

**"Lame" 26cm wall hung**  
**- Vessel -**

HASTING TILE AND BATH  
711-8 KOEHLER AVE  
RONKONKOMA, NY 11779  
1-800-351-0038

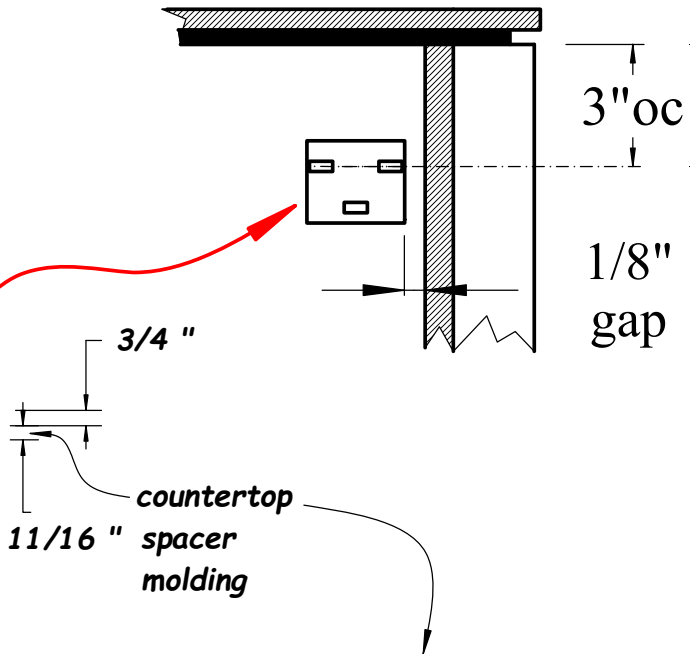
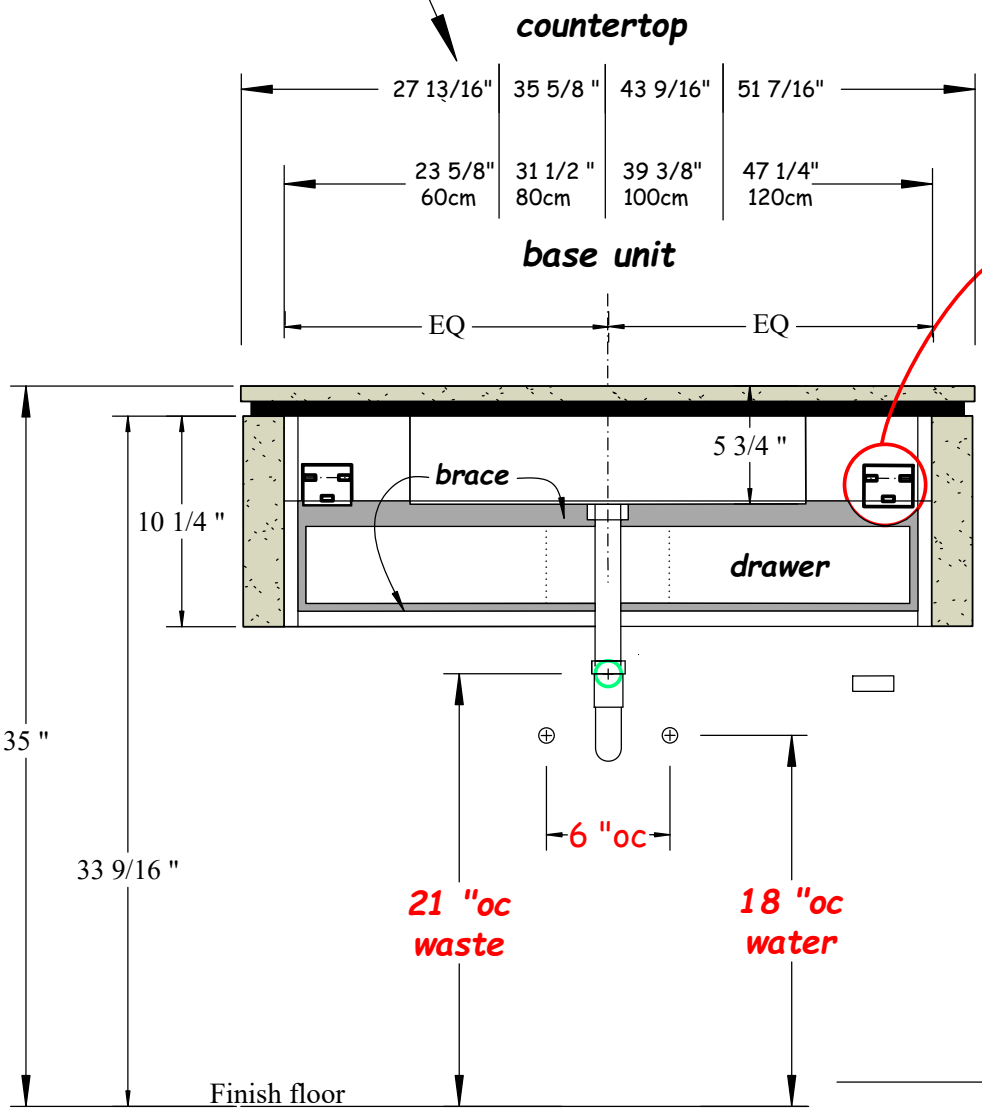
DATE: 8/17/21

BY: mjh

pg 1

Vanity *WITHOUT* side panels deduct 3 7/8 to determine new countertop length.

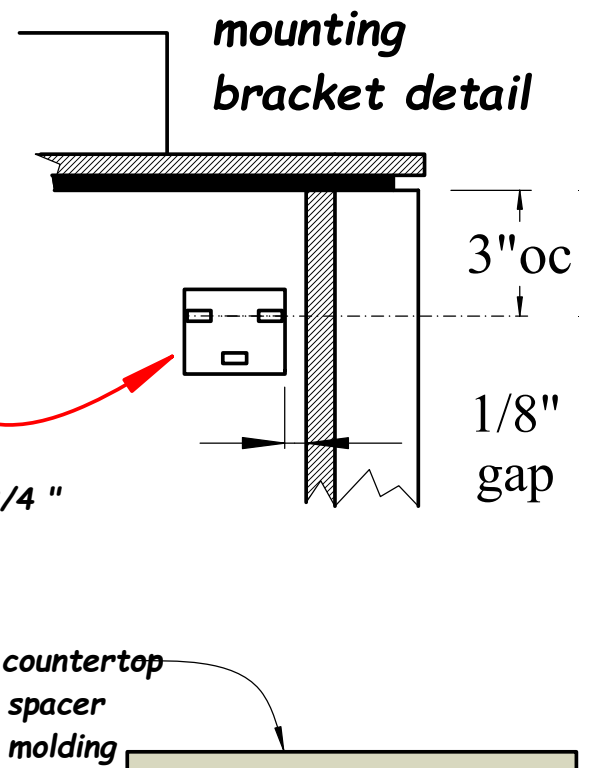
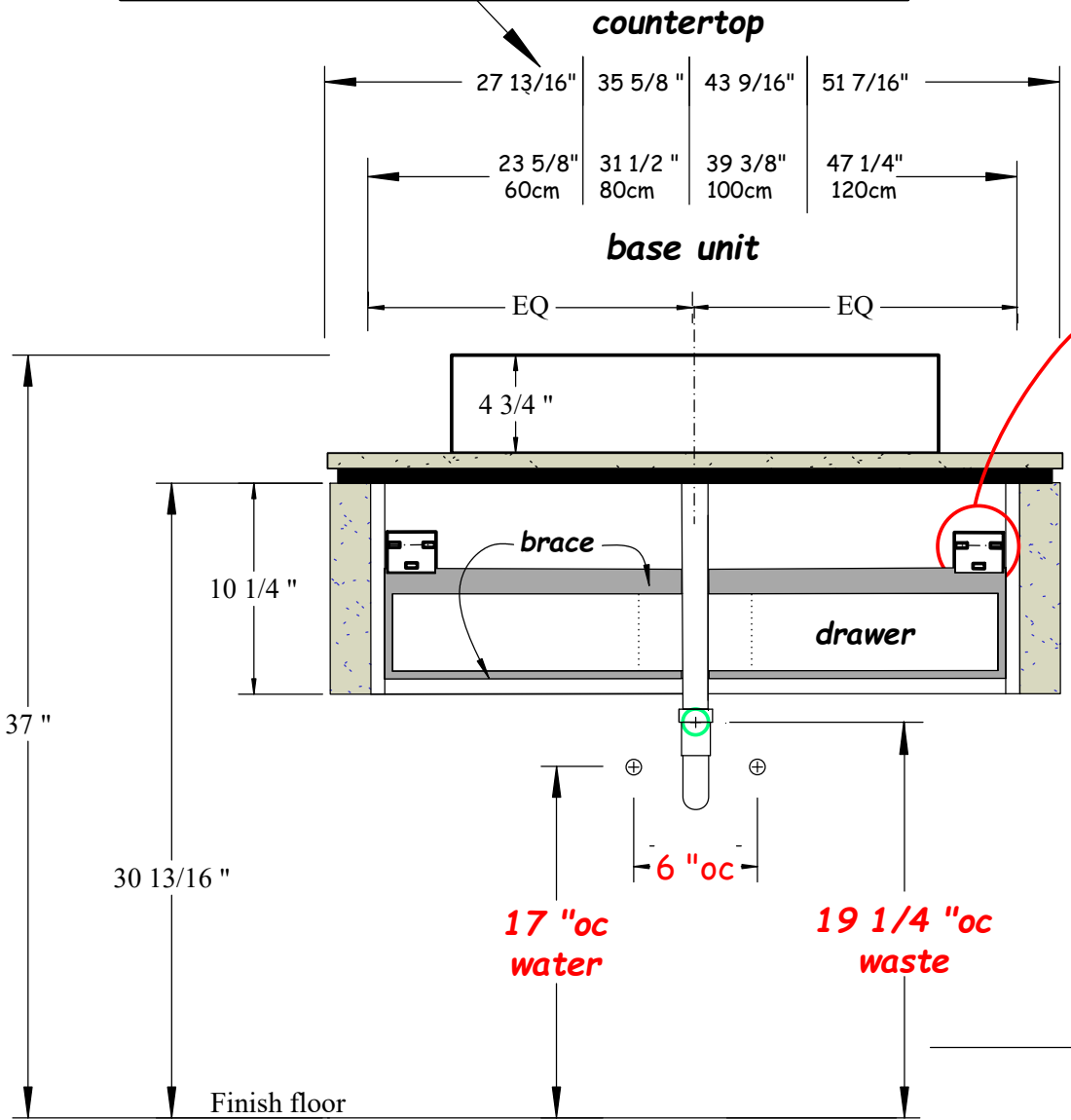
mounting bracket detail



**NOTE:**  
Decorative countertop spacer molding is optional. DEDUCT 11/16" to determine countertop height.

Front View

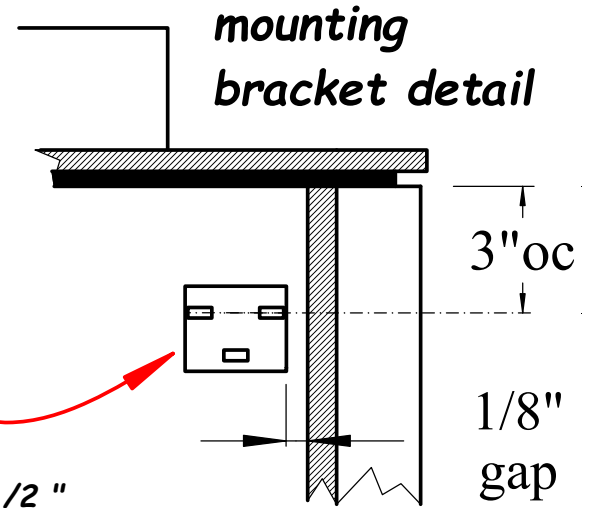
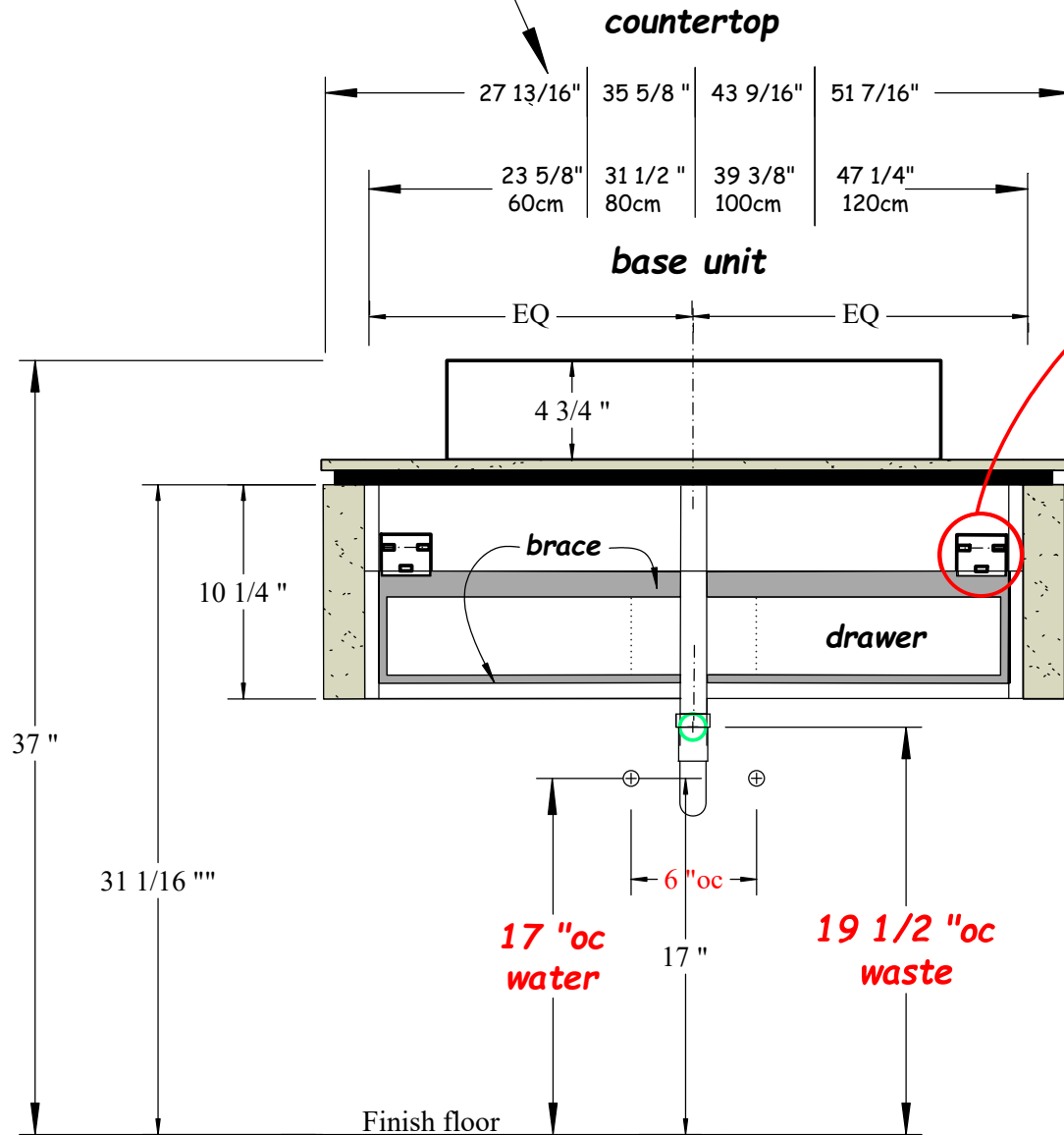
Vanity **WITHOUT** side panels deduct  $3 \frac{7}{8}$  to determine new countertop length.



**NOTE:**  
 Decorative countertop spacer molding is optional. DEDUCT  $\frac{11}{16}$ " to determine countertop height.

Front View

Vanity **WITHOUT** side panels deduct  $3 \frac{7}{8}$  to determine new countertop length.



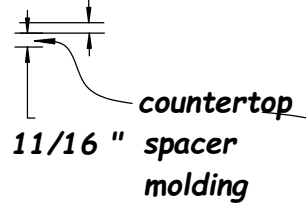
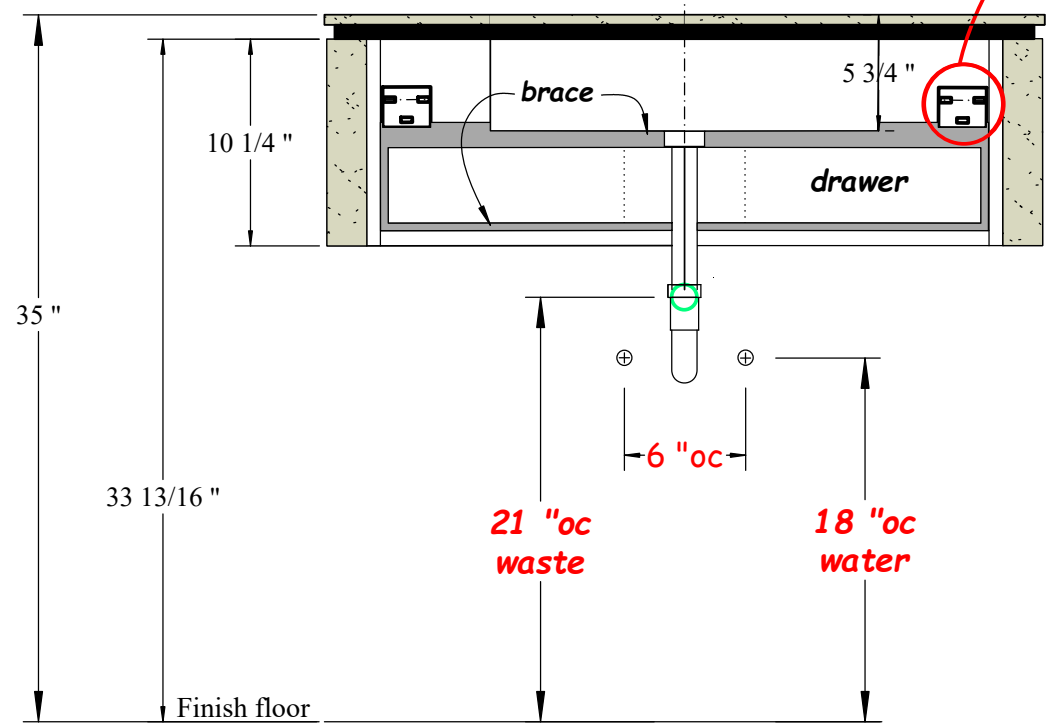
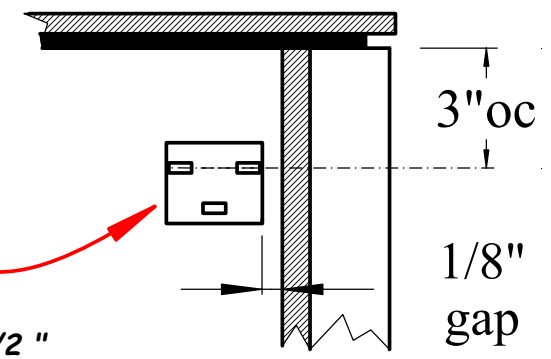
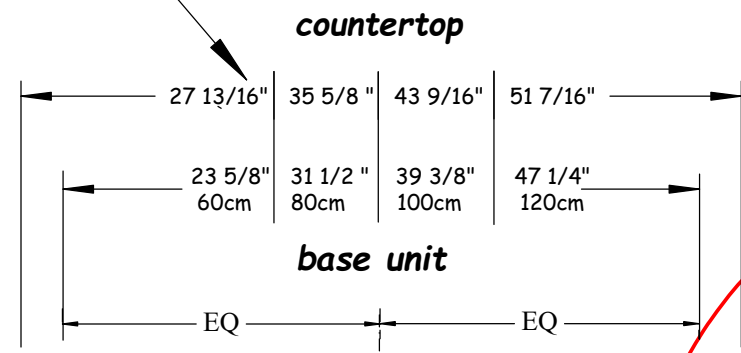
**NOTE:**

Decorative countertop spacer molding is optional. DEDUCT  $\frac{11}{16}$ " to determine countertop height.

Front View

Vanity **WITHOUT** side panels deduct 3 7/8 to determine new countertop length.

mounting bracket detail

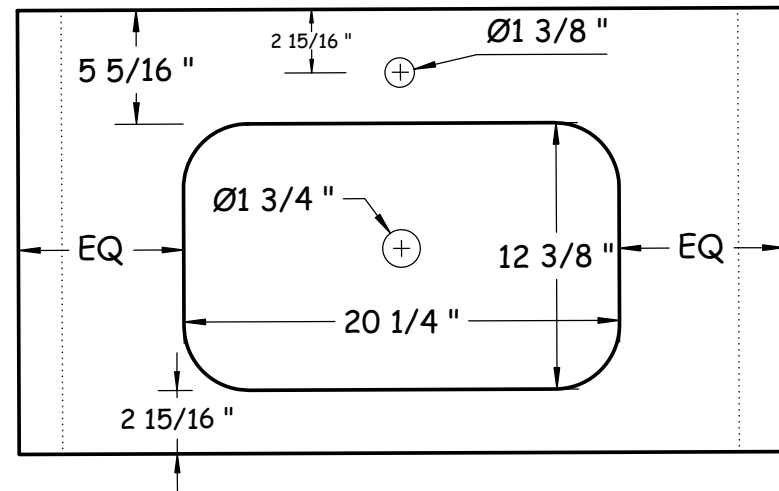
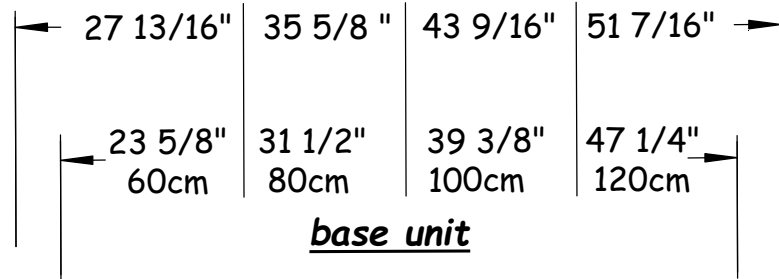


**NOTE:**  
Decorative countertop spacer molding is optional. DEDUCT 11/16" to determine countertop height.

Front View

Vanity **WITHOUT** side panels deduct  $3 \frac{7}{8}$ "  
to determine new countertop length.

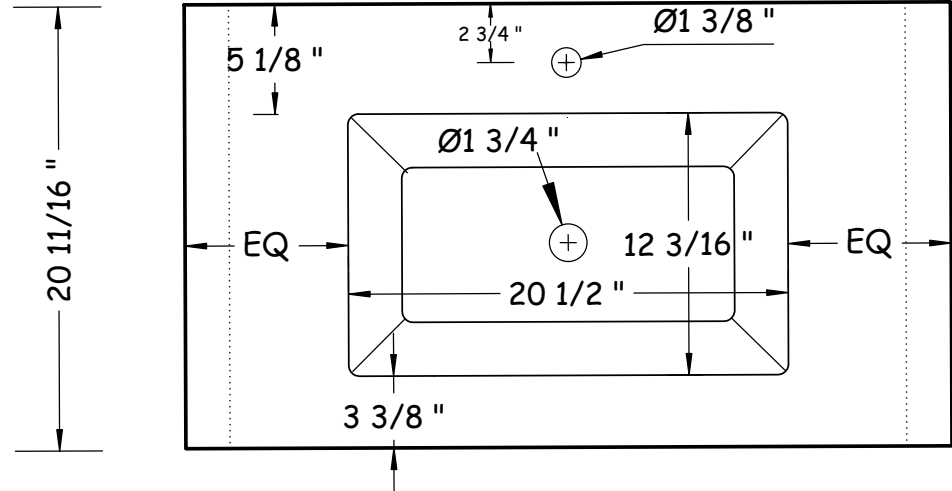
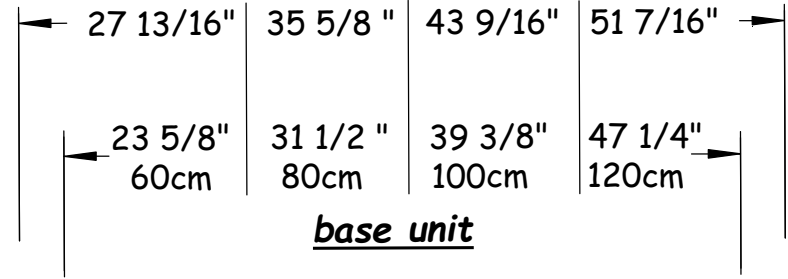
countertop w/ side panels



**Glass top & basin - VA002**

Plan View

countertop w/ side panels

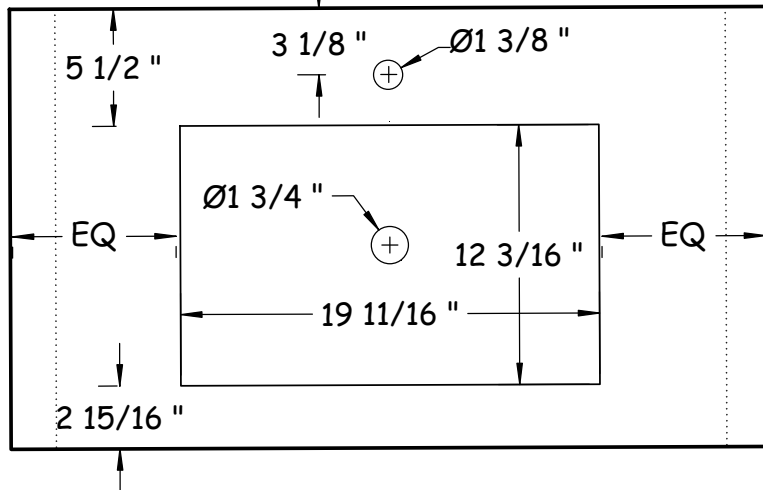
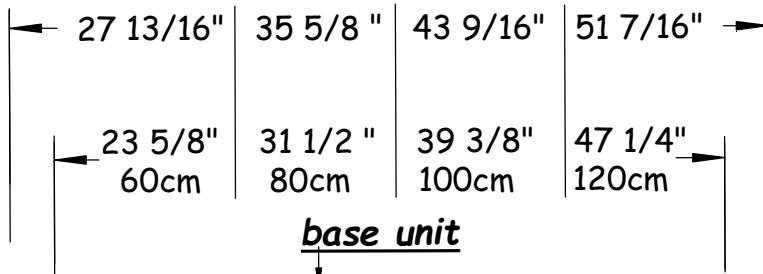


**Glass top & basin - VA005**

Plan View

Vanity **WITHOUT** side panels deduct 3 7/8" to determine new countertop length.

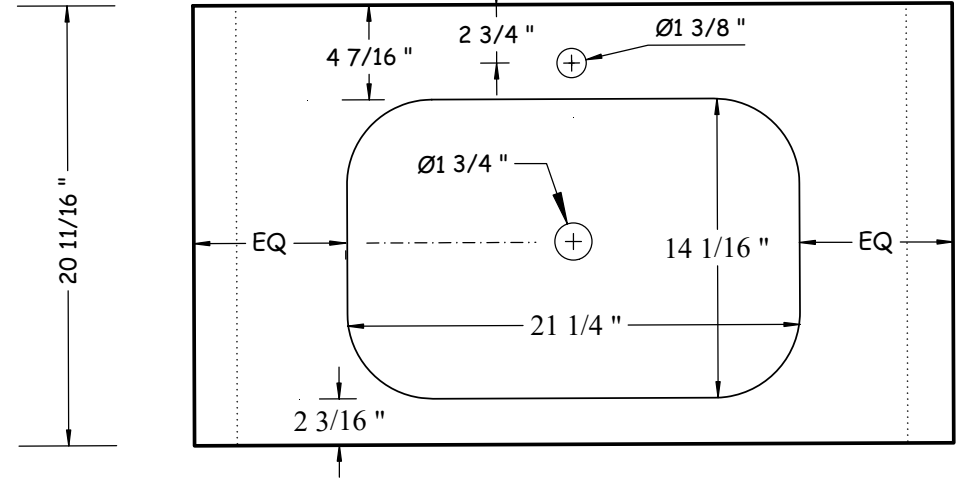
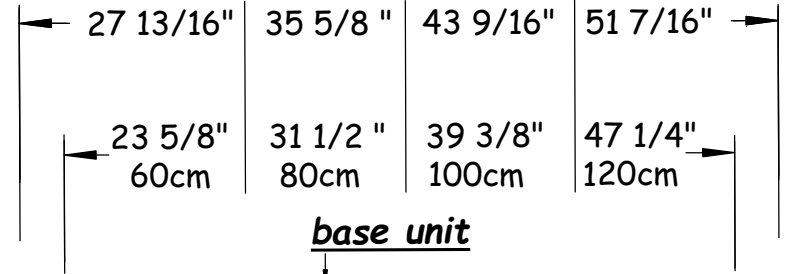
countertop w/ side panels



**Solid Surface top & basin-LB440**

Plan View

countertop w/ side panels



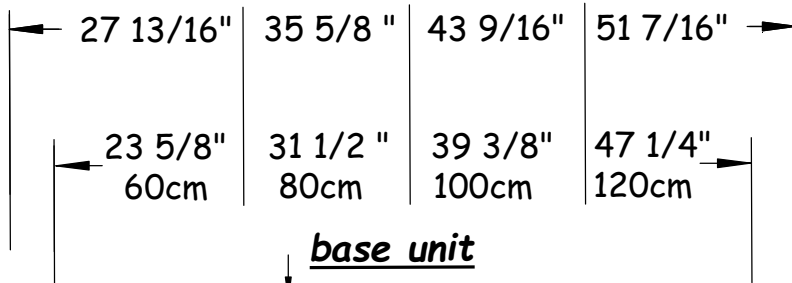
**Solid Surface top & basin-LB175**

Plan View



Vanity *WITHOUT* side panels deduct 3 7/8" to determine new countertop length.

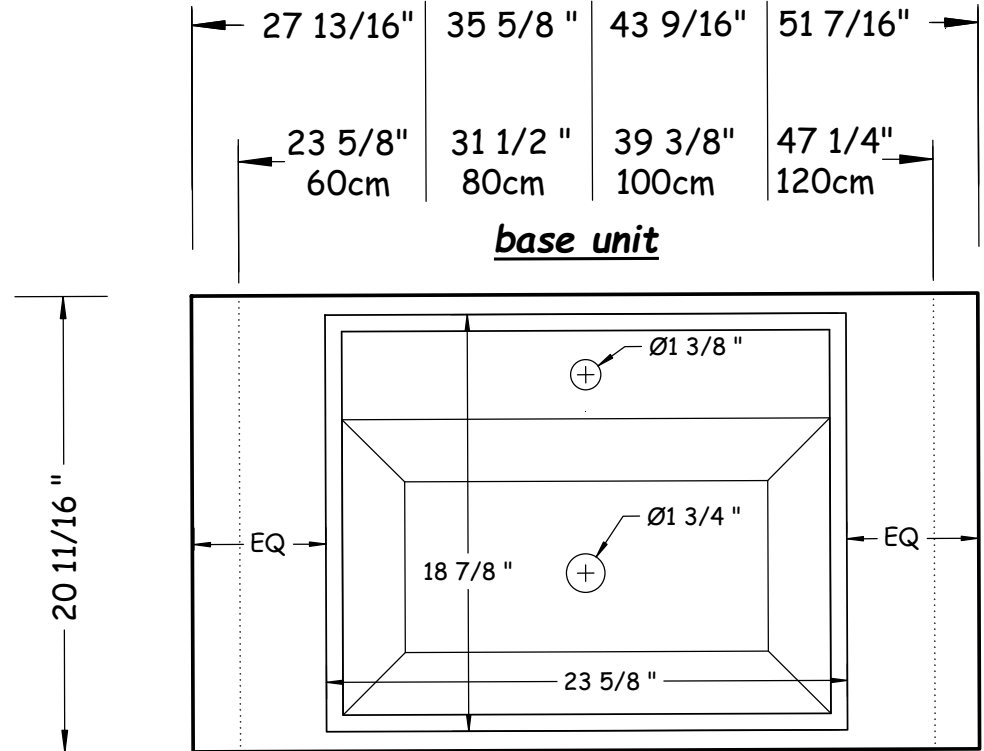
countertop w/ side panels



**Porcelain top & integrated basin-LV943**

Plan View

countertop w/ side panels



**Solid Surface Vessel-LV945/946**

matte - LV945 / glossy - LV946

Plan View

