



**Hastings**  
**Tile & Bath**

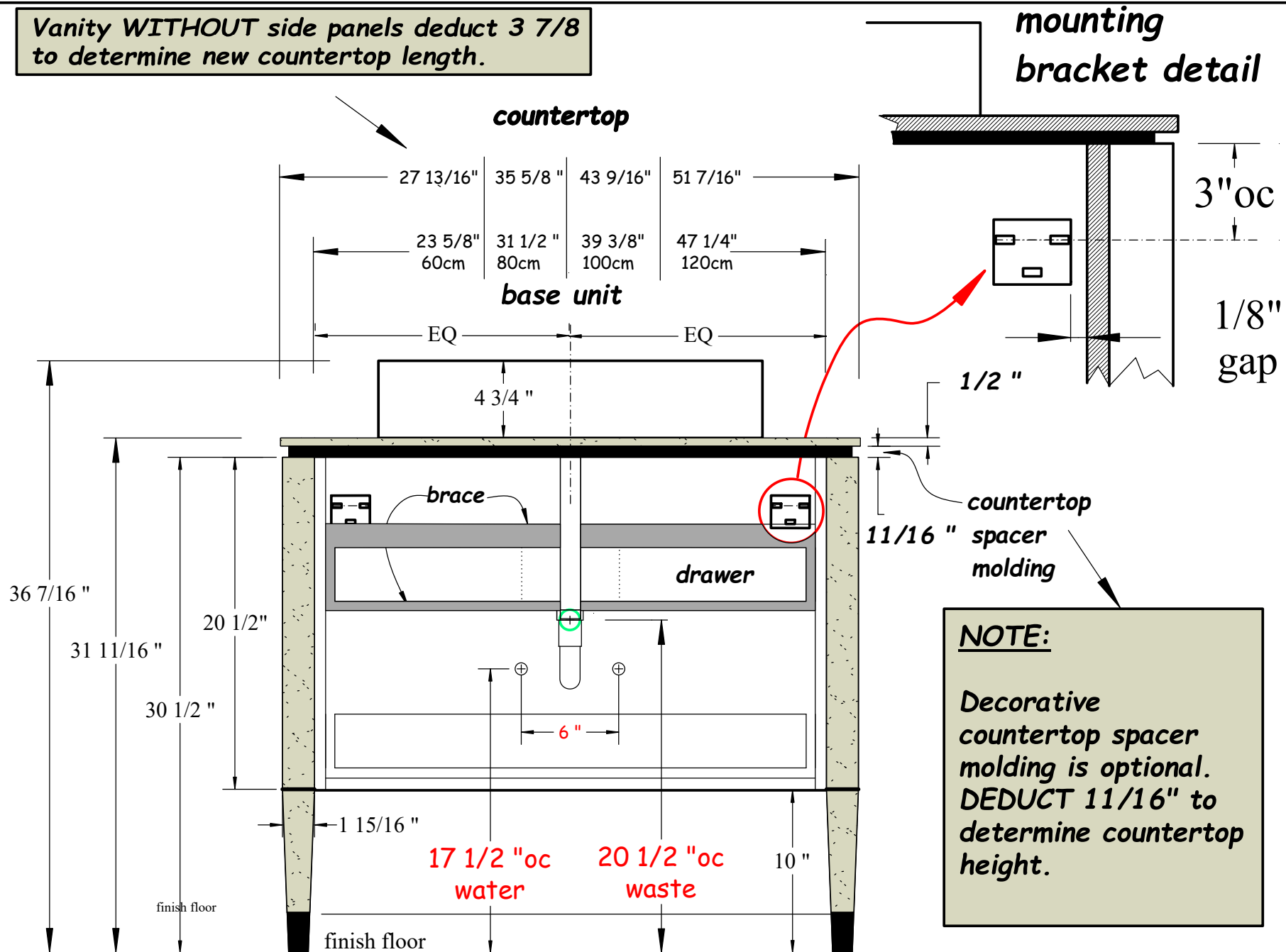
**Lame 52cm w/ legs**  
**-integrated basin-**

HASTING TILE AND BATH  
711-8 KOEHLER AVE  
RONKONKOMA, NY 11779  
1-800-351-0038

DATE: **8/17/21**  
BY: **mjh**

pg **1**

Vanity **WITHOUT** side panels deduct 3 7/8 to determine new countertop length.

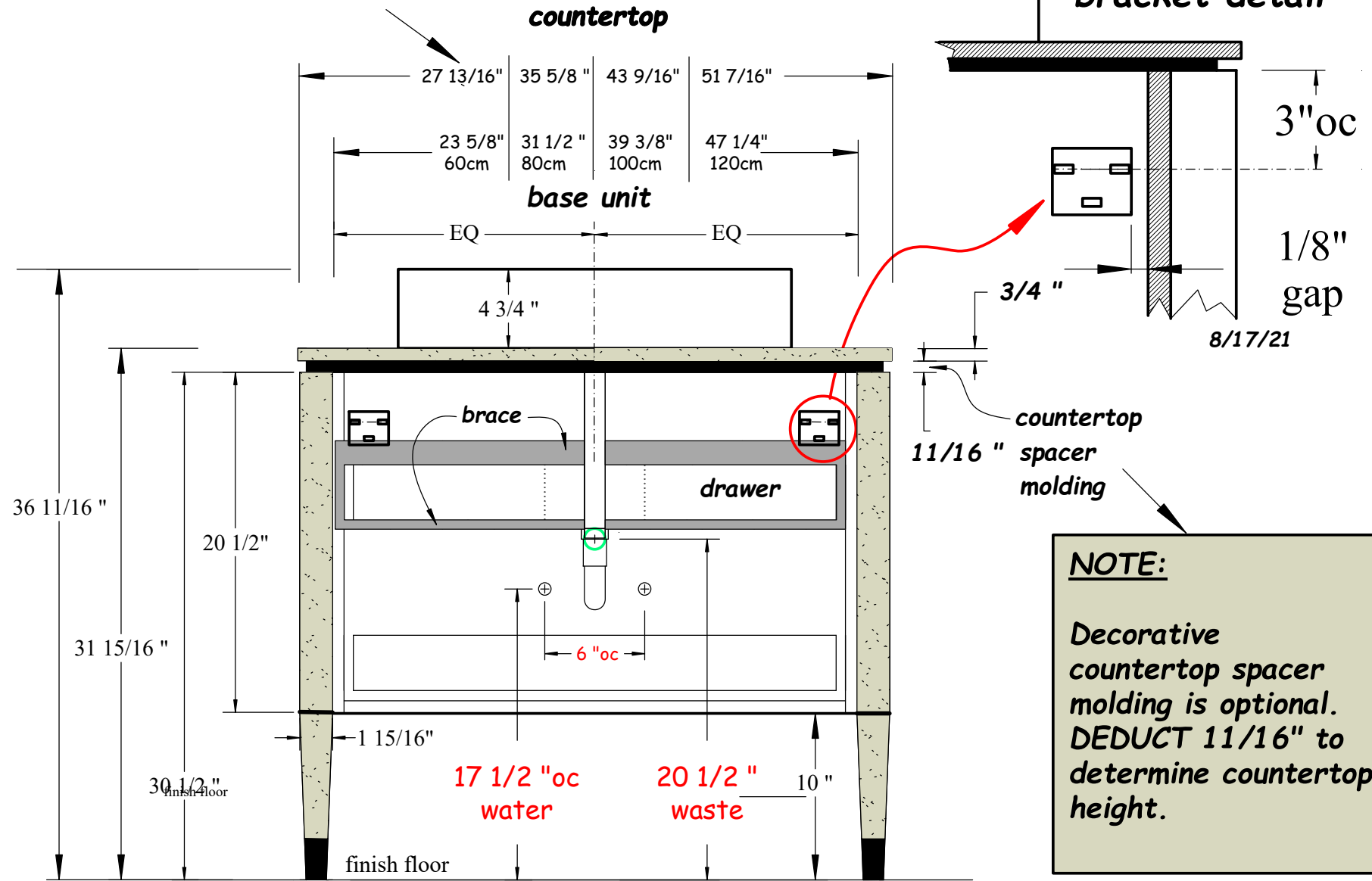


**NOTE:**  
Decorative countertop spacer molding is optional. DEDUCT 11/16" to determine countertop height.

Front View



Vanity **WITHOUT** side panels deduct 3 7/8" to determine new countertop length.

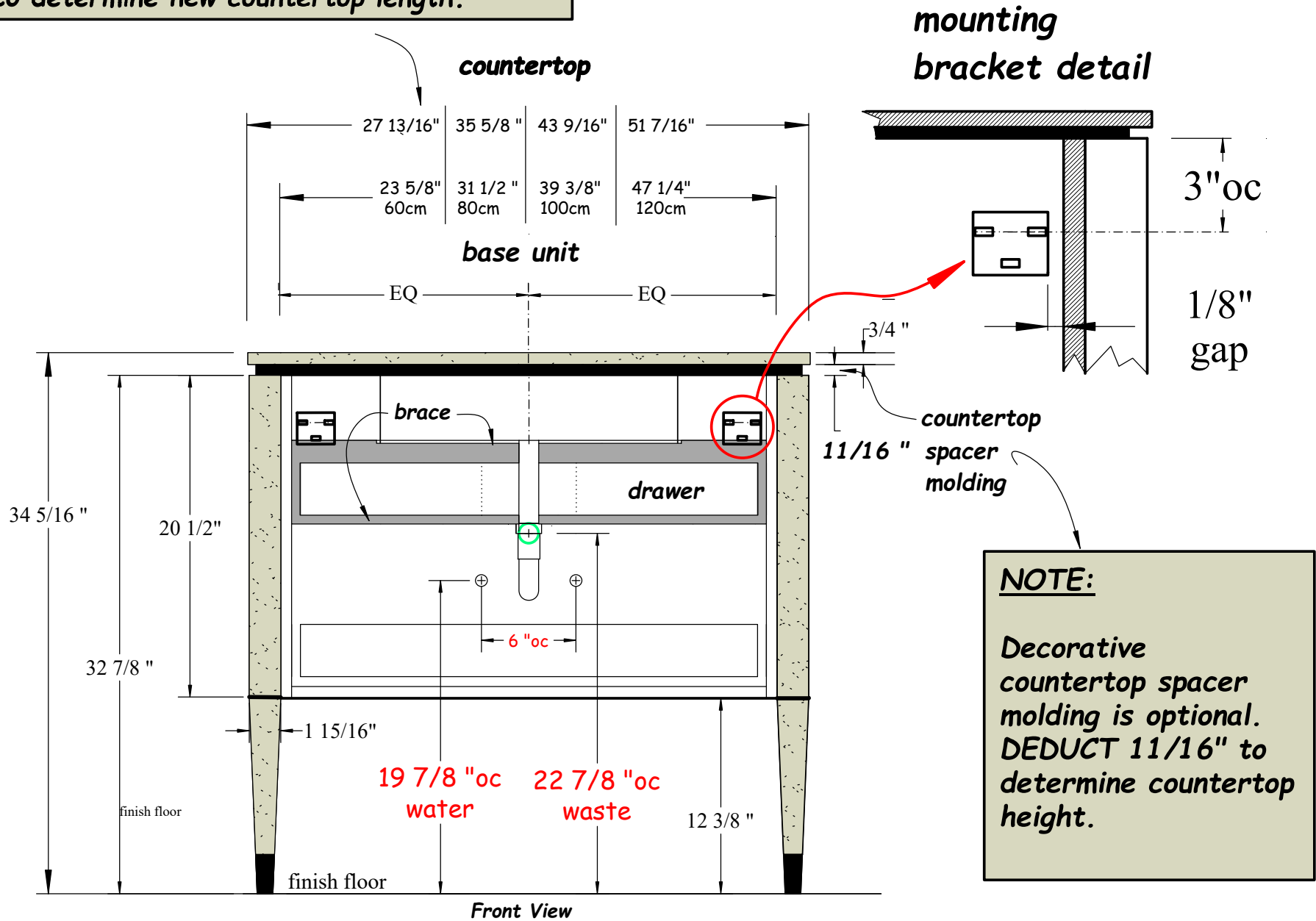


**NOTE:**  
Decorative countertop spacer molding is optional. DEDUCT 11/16" to determine countertop height.

Front View

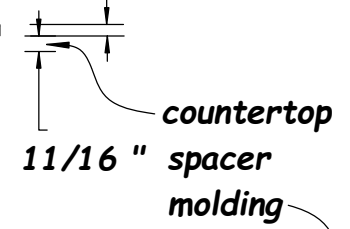
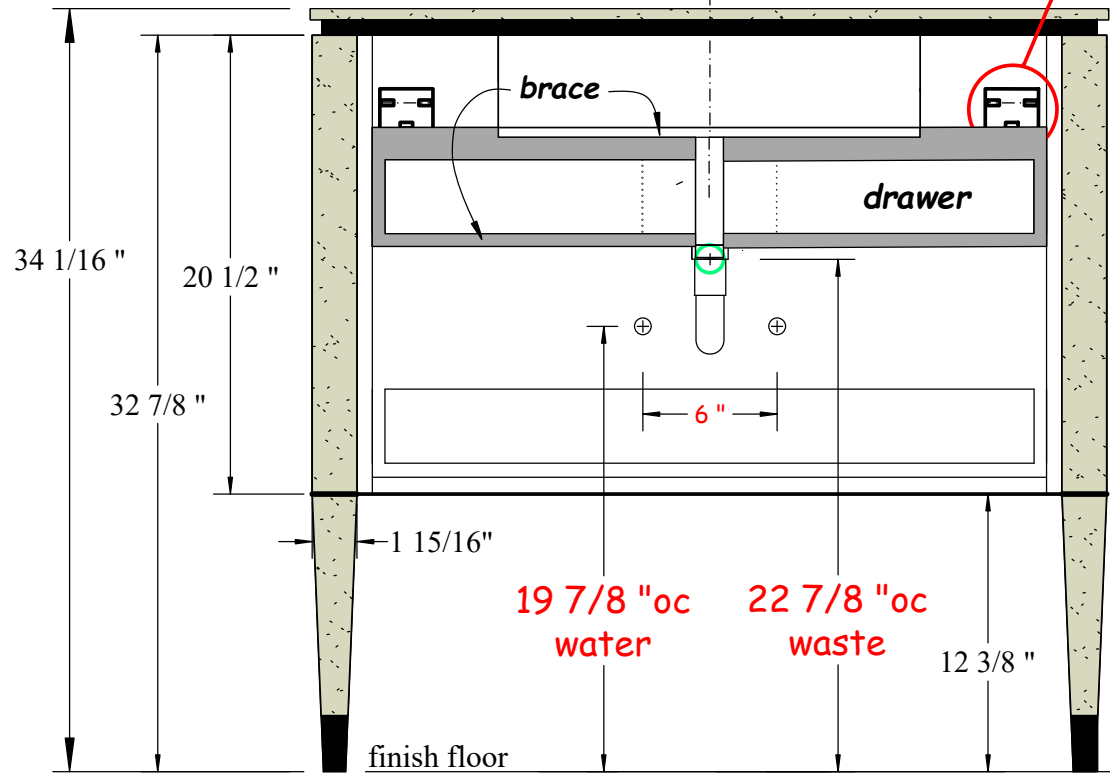
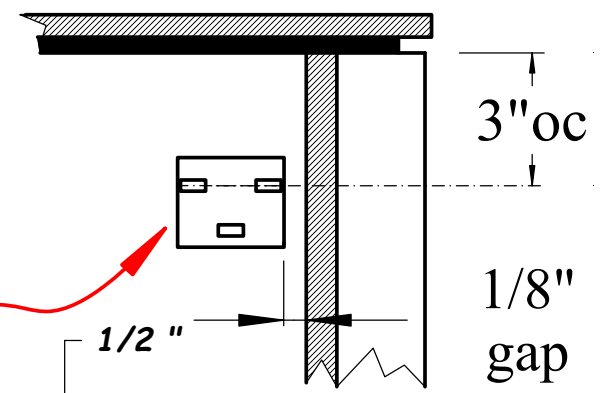
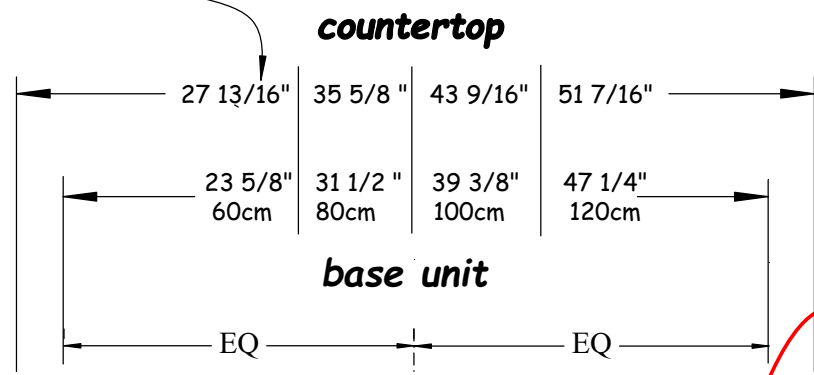


Vanity **WITHOUT** side panels deduct  $3 \frac{7}{8}$  to determine new countertop length.



Vanity **WITHOUT** side panels deduct 3 7/8" to determine new countertop length.

**mounting bracket detail**

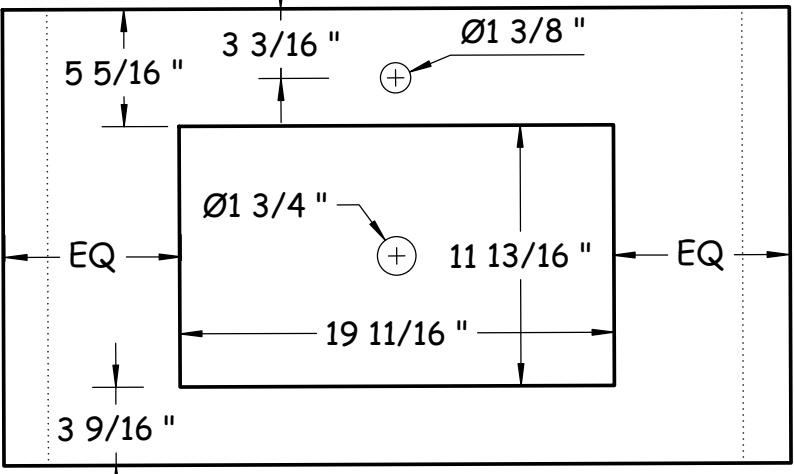
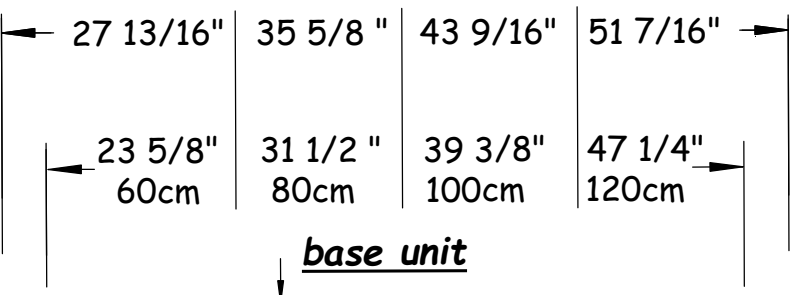


**NOTE:**  
Decorative countertop spacer molding is optional. DEDUCT 11/16" to determine countertop height.

Front View

Vanity **WITHOUT** side panels deduct 3 7/8" to determine new countertop length.

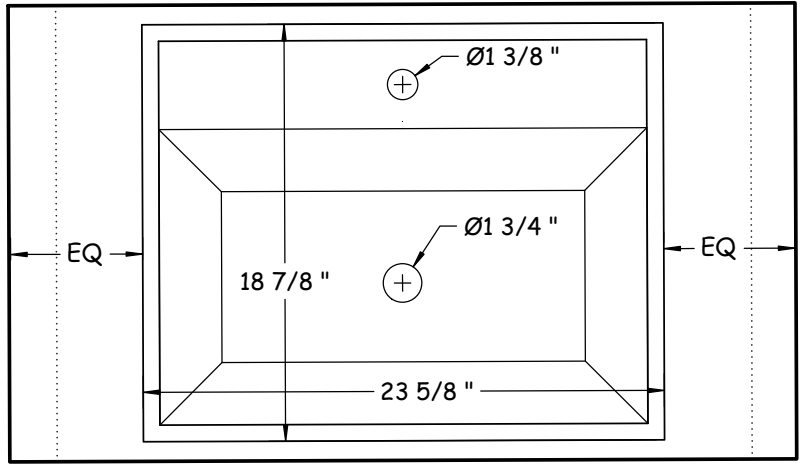
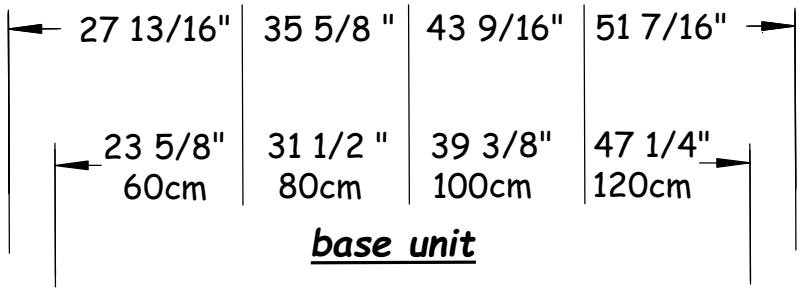
countertop w/ side panels



**Porcelain top & integrated basin-LV943**

Plan View

countertop w/ side panels

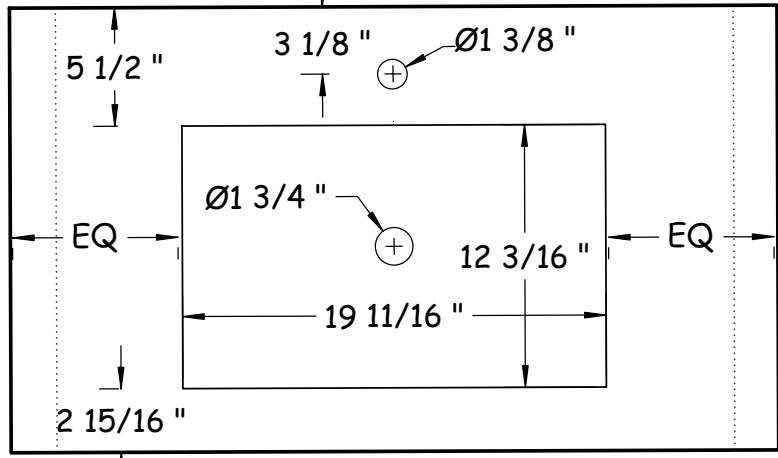
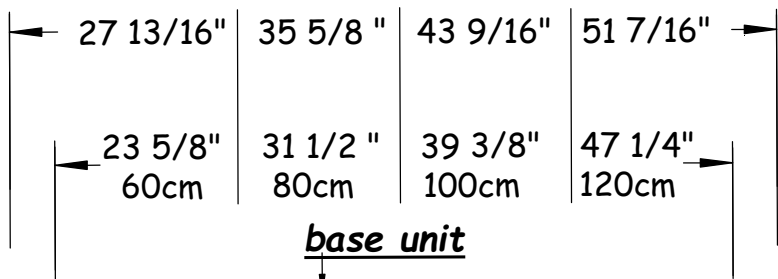


**Solid Surface Vessel-LV945/946**  
matte - LV945 / glossy - LV946

Plan View

Vanity **WITHOUT** side panels deduct 3 7/8" to determine new countertop length.

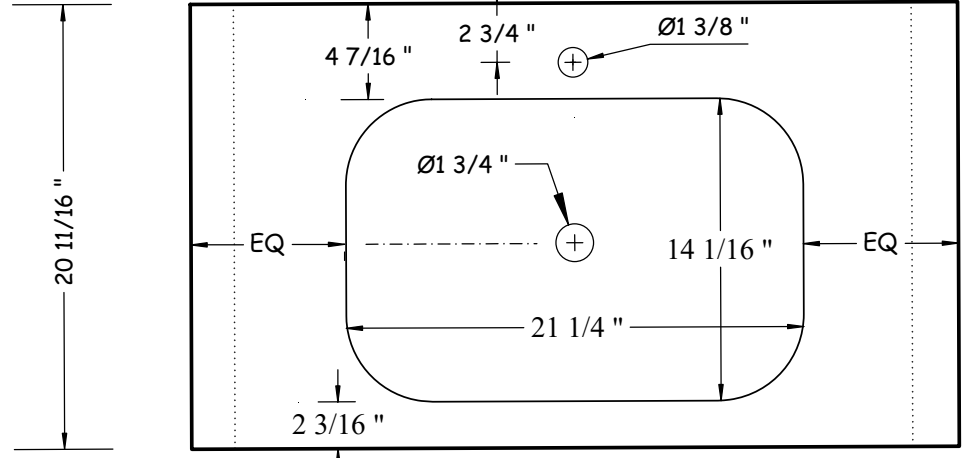
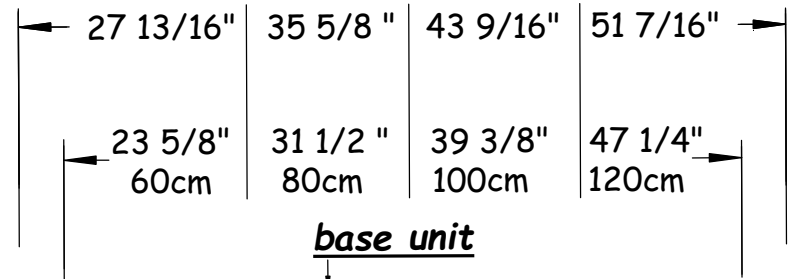
countertop w/ side panels



**Solid Surface top & basin-LB440**

Plan View

countertop w/ side panels



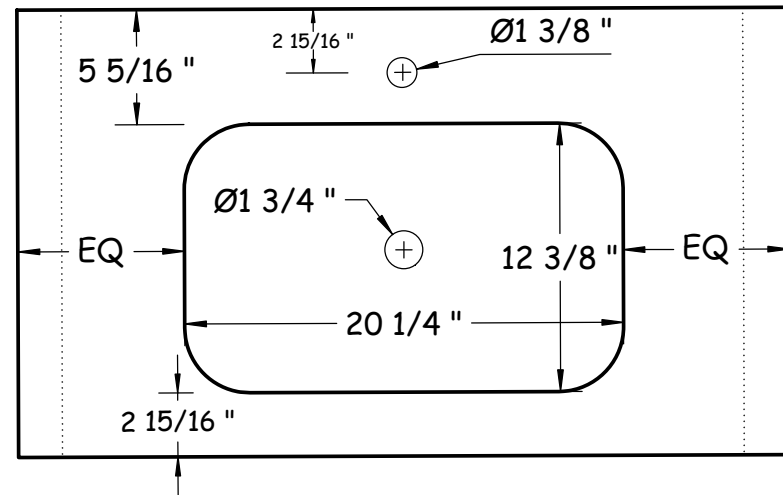
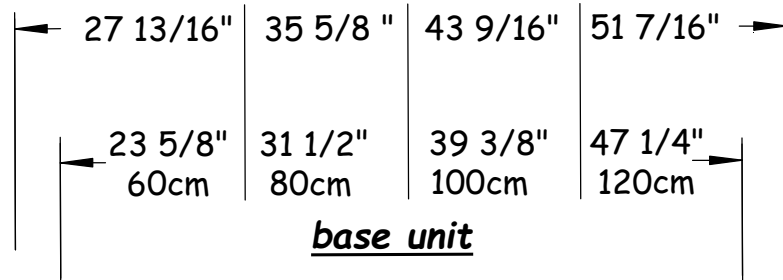
**Solid Surface top & basin-LB175**

Plan View



Vanity **WITHOUT** side panels deduct  $3 \frac{7}{8}$ " to determine new countertop length.

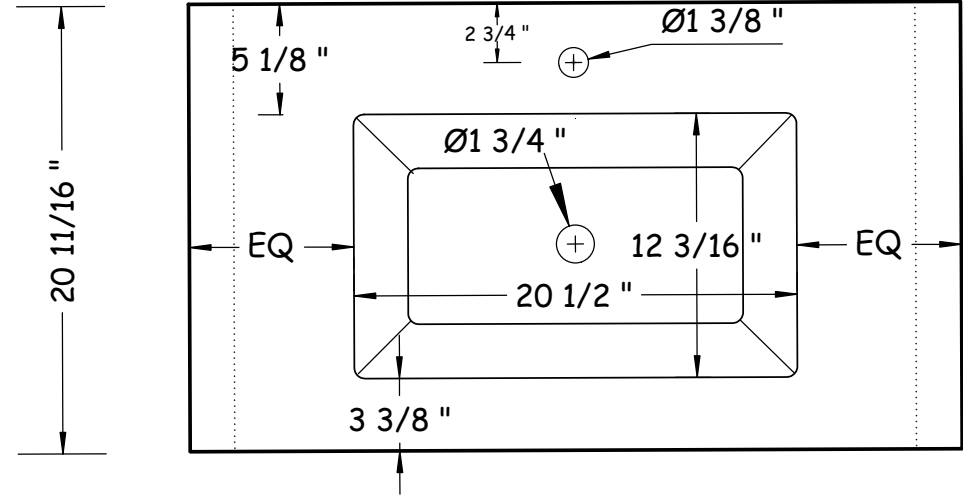
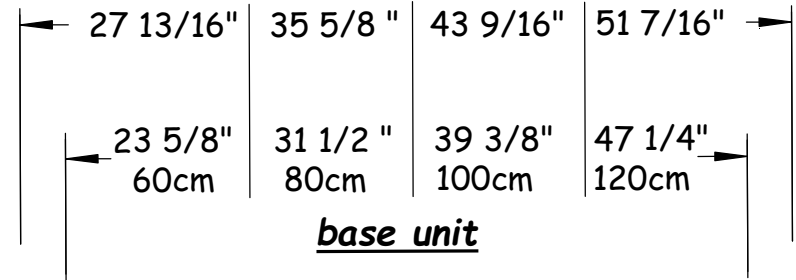
countertop w/ side panels



**Glass top & basin - VA002**

Plan View

countertop w/ side panels



**Glass top & basin - VA005**

Plan View

