



*Hastings
Tile & Bath*

"Lame" 52cm wall hung
w/ Integrated basin & CT

HASTING TILE AND BATH
711-8 KOEHLER AVE
RONKONKOMA, NY 11779
1-800-351-0038

DATE: **8/17/21**
BY: **mjh**

pg **1**



**Hastings
Tile & Bath**

**"Lame" 52cm wall hung
- Vessel -**

HASTING TILE AND BATH
711-8 KOEHLER AVE
RONKONKOMA, NY 11779
1-800-351-0038

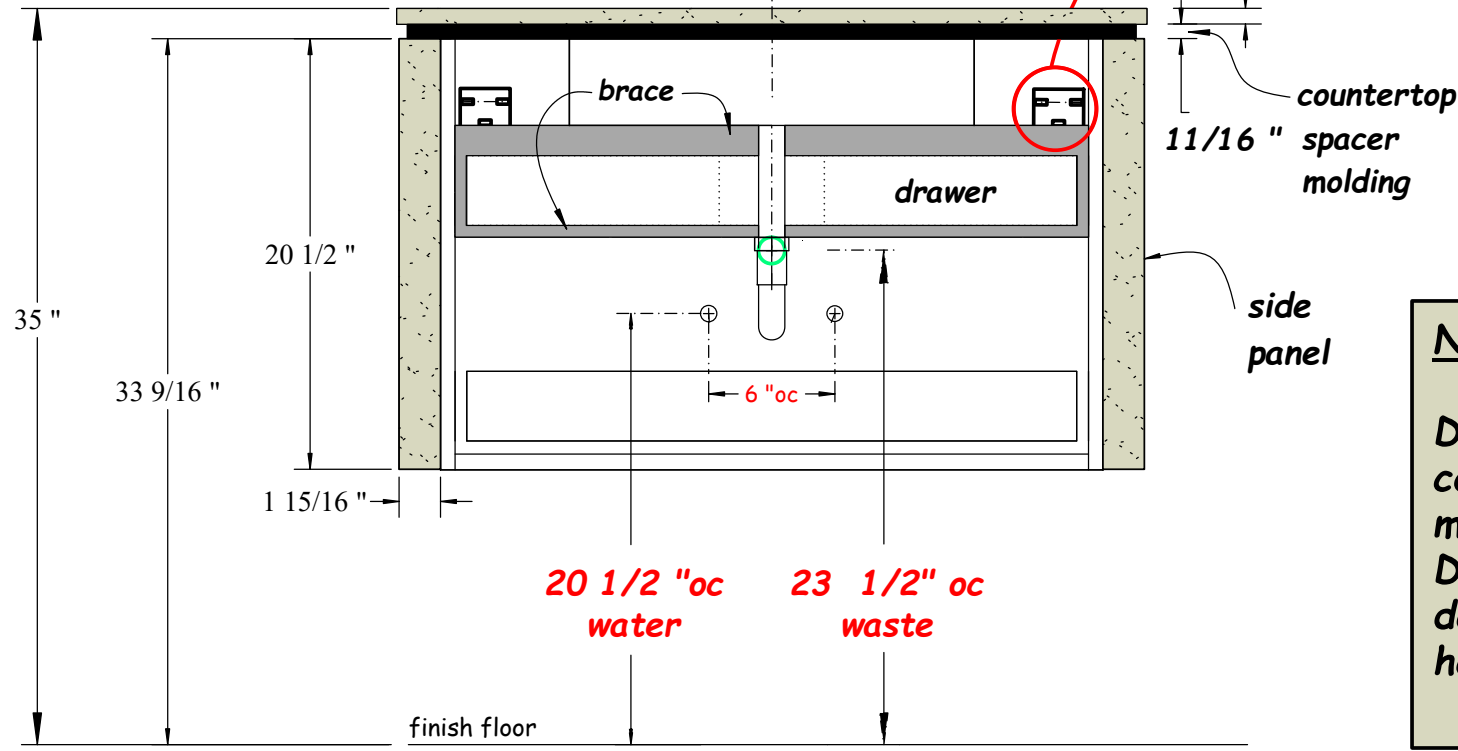
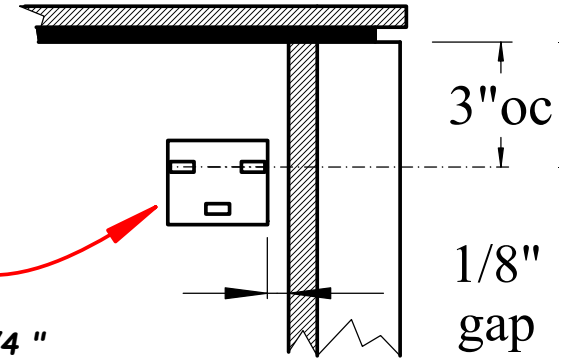
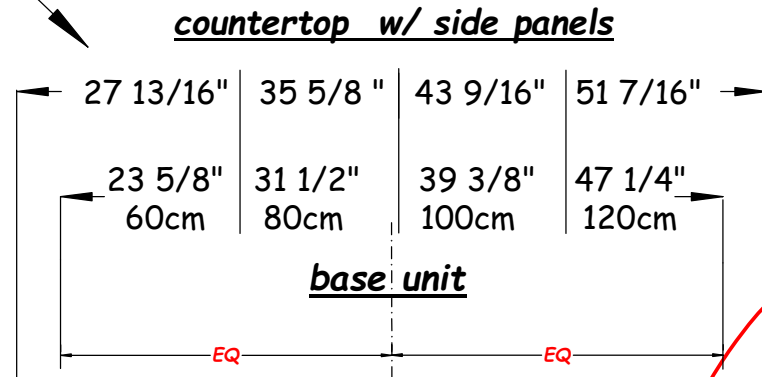
DATE: **8/17/21**

BY: **mjh**

pg **2**

Vanity **WITHOUT** side panels deduct 3 7/8" to determine new countertop length.

mounting bracket detail

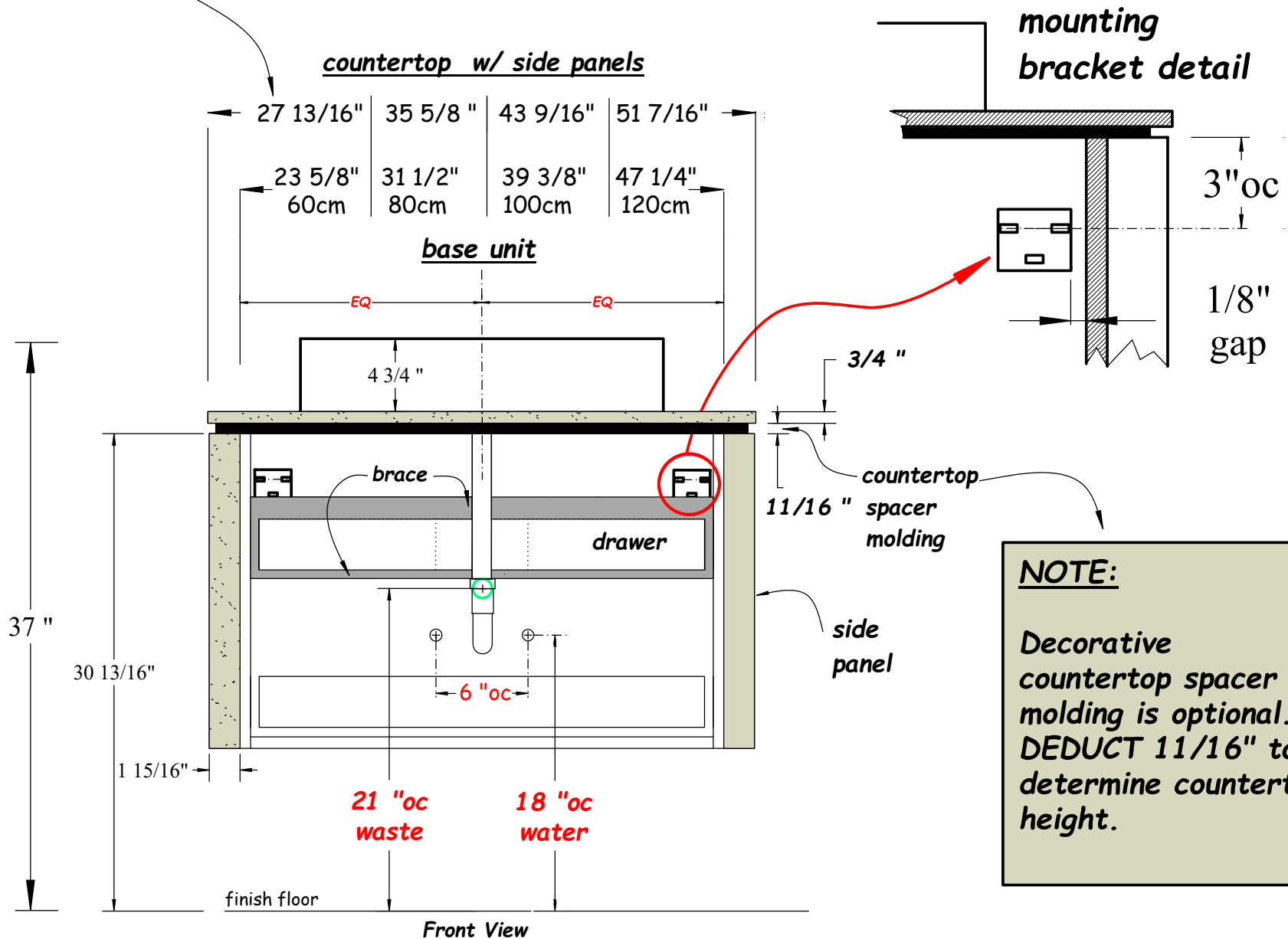


NOTE:

Decorative countertop spacer molding is optional. DEDUCT 11/16" to determine countertop height.

Front View

Vanity **WITHOUT** side panels deduct 3 7/8" to determine new countertop length.

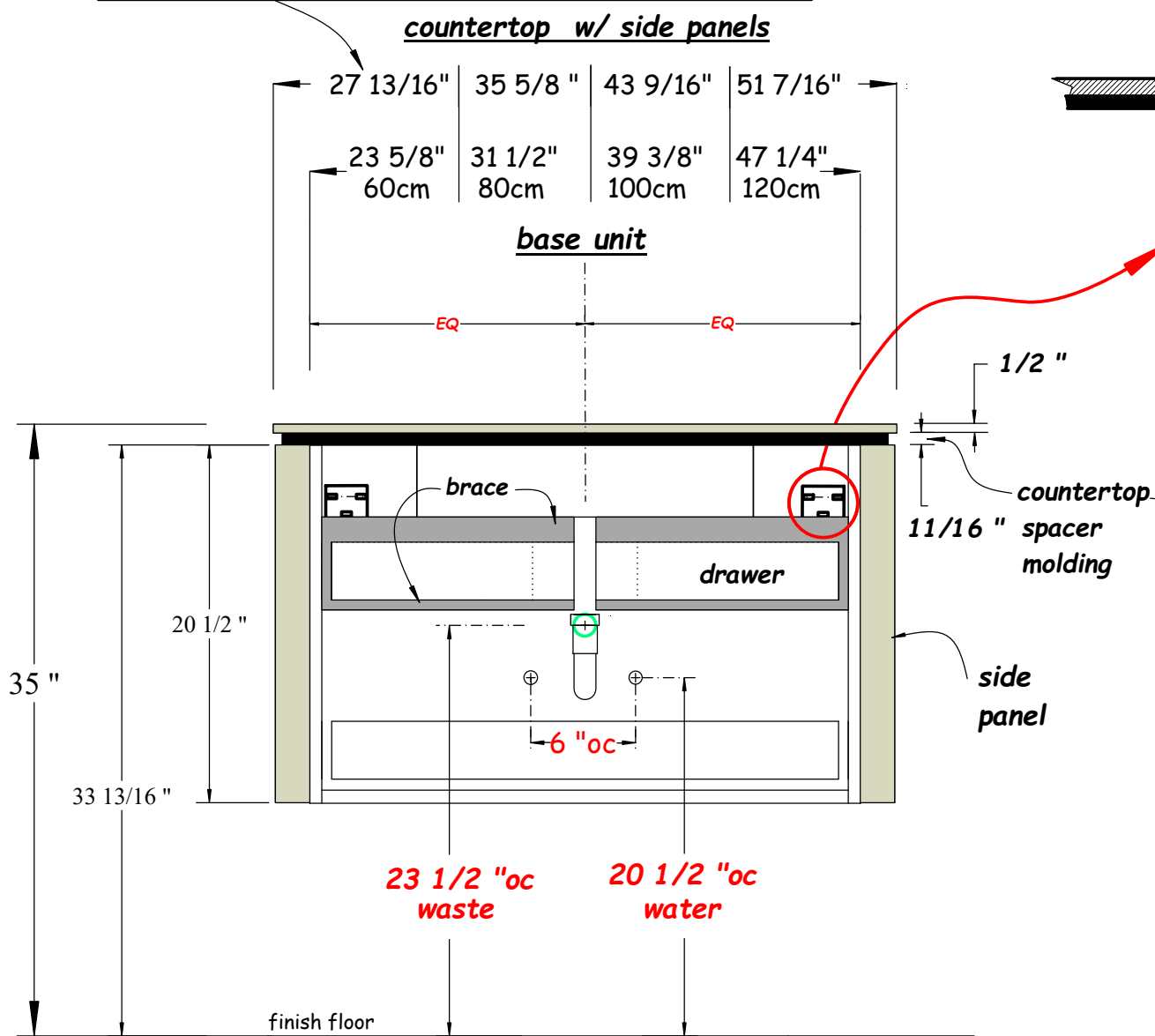


NOTE:
Decorative countertop spacer molding is optional. DEDUCT 11/16" to determine countertop height.

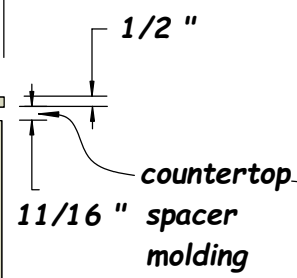
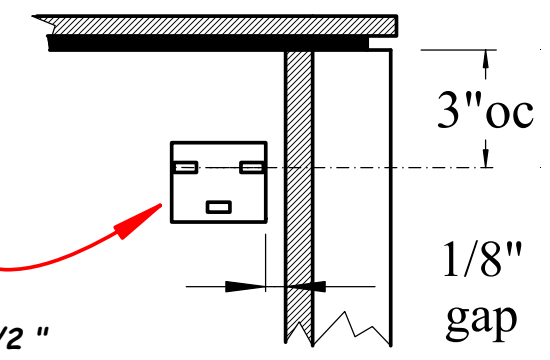
Front View



Vanity **WITHOUT** side panels deduct 3 7/8 to determine new countertop length.



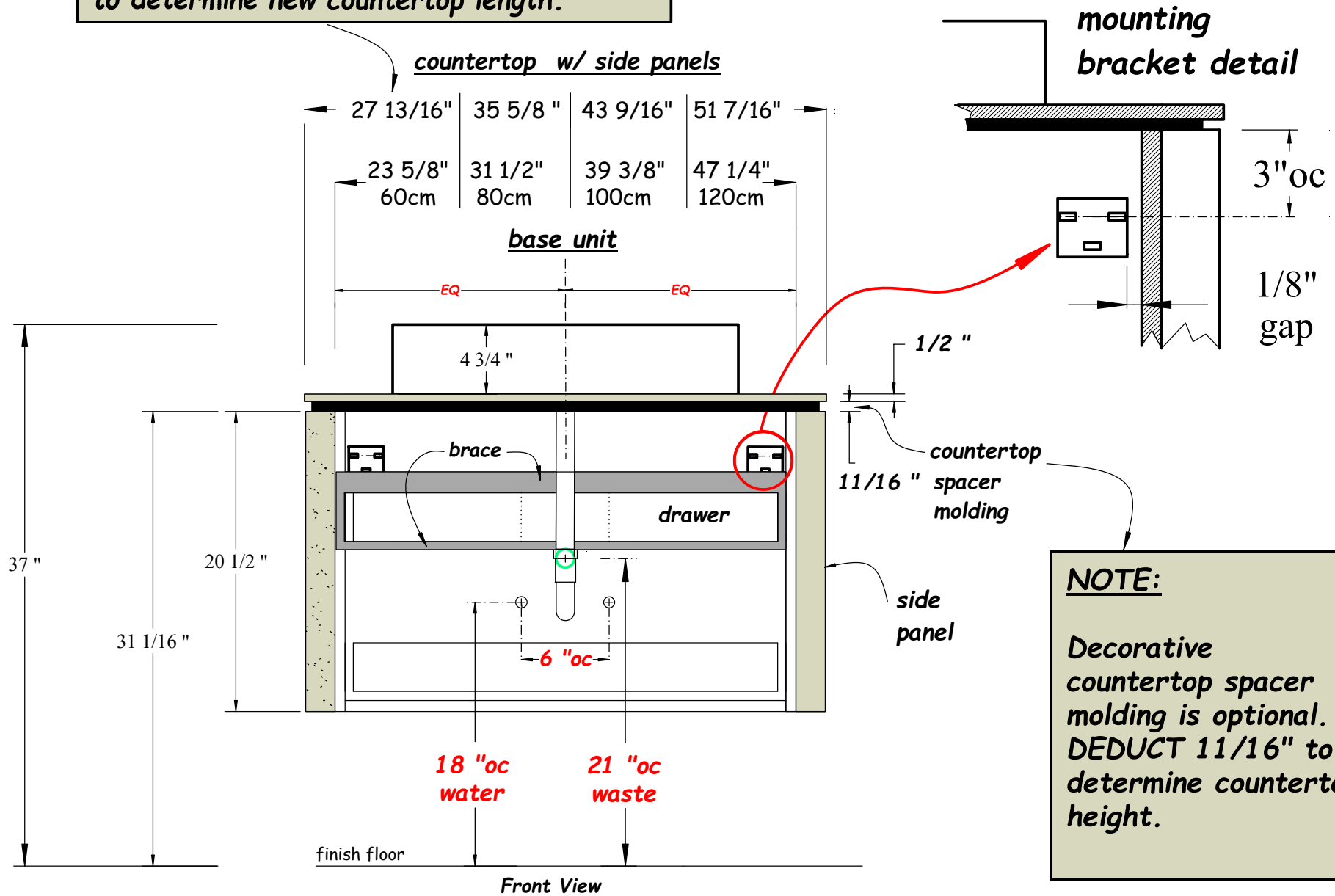
mounting bracket detail



NOTE:
Decorative countertop spacer molding is optional. DEDUCT 11/16" to determine countertop height.

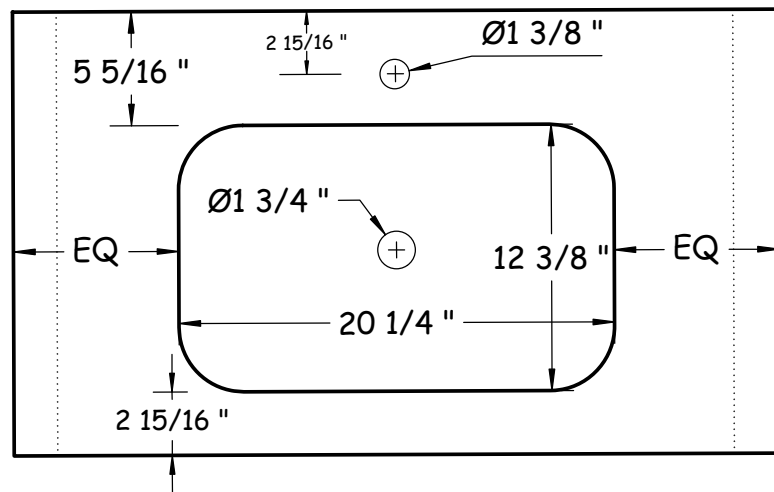
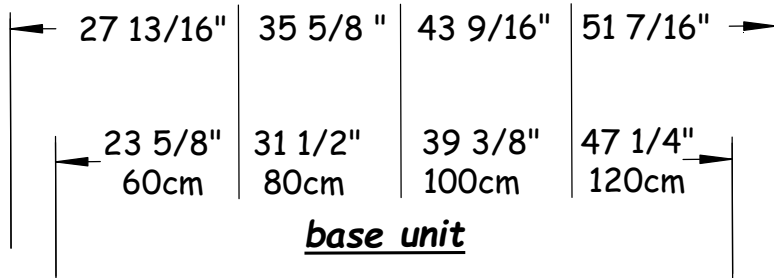
Front View

Vanity **WITHOUT** side panels deduct 3 7/8" to determine new countertop length.



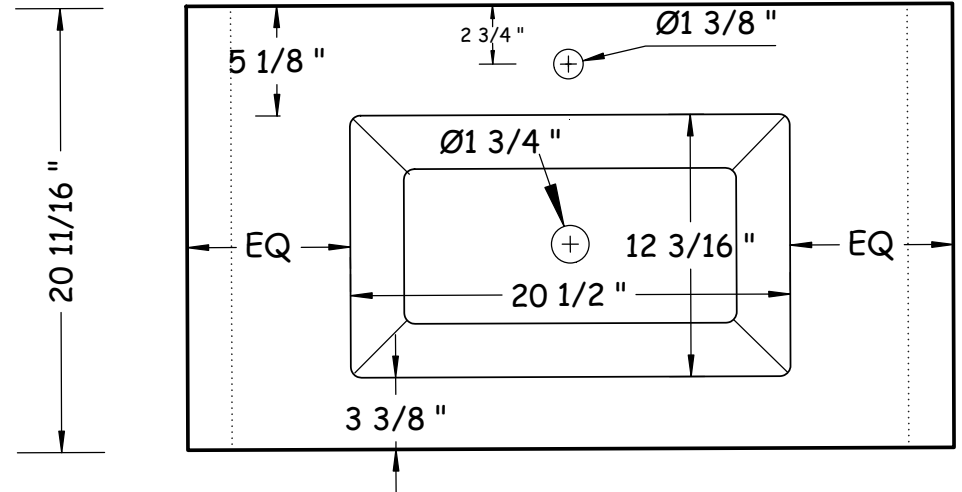
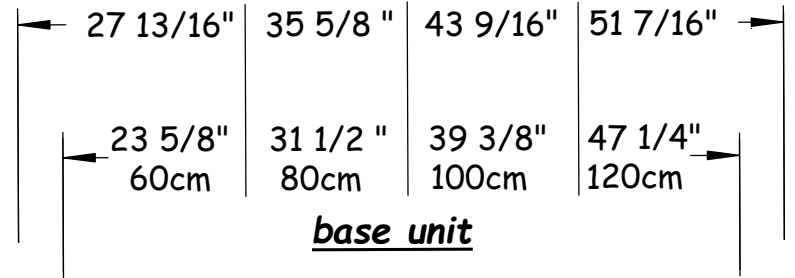
Vanity **WITHOUT** side panels deduct 3 7/8" to determine new countertop length.

countertop w/ side panels



Plan View

countertop w/ side panels

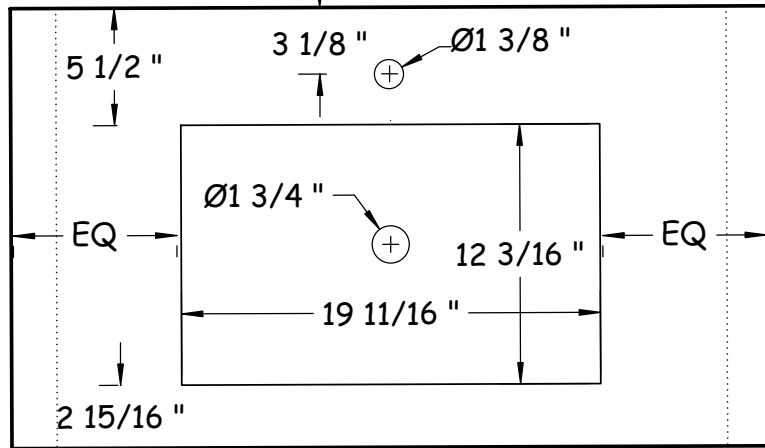
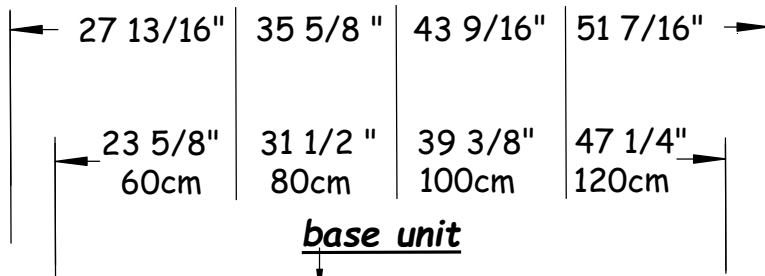


Plan View



Vanity **WITHOUT** side panels deduct 3 7/8" to determine new countertop length.

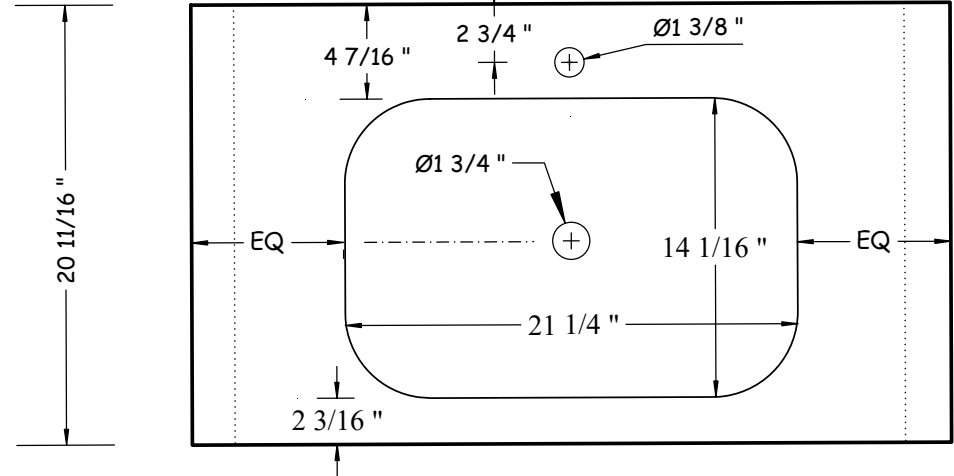
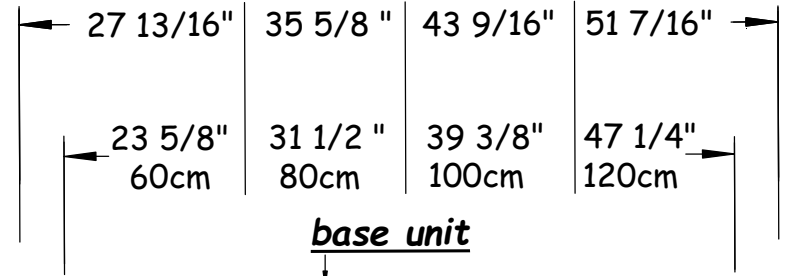
countertop w/ side panels



Solid Surface top & basin-LB440

Plan View

countertop w/ side panels



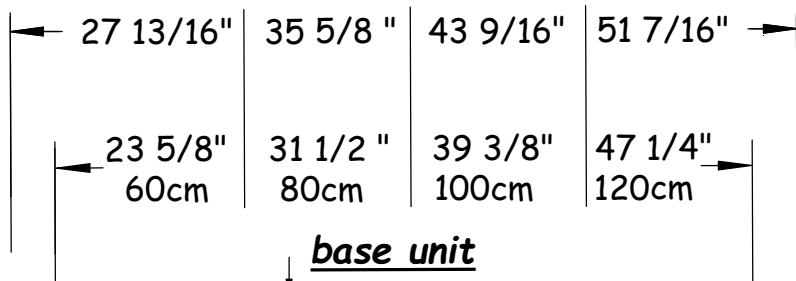
Solid Surface top & basin-LB175

Plan View



Vanity *WITHOUT* side panels deduct 3 7/8" to determine new countertop length.

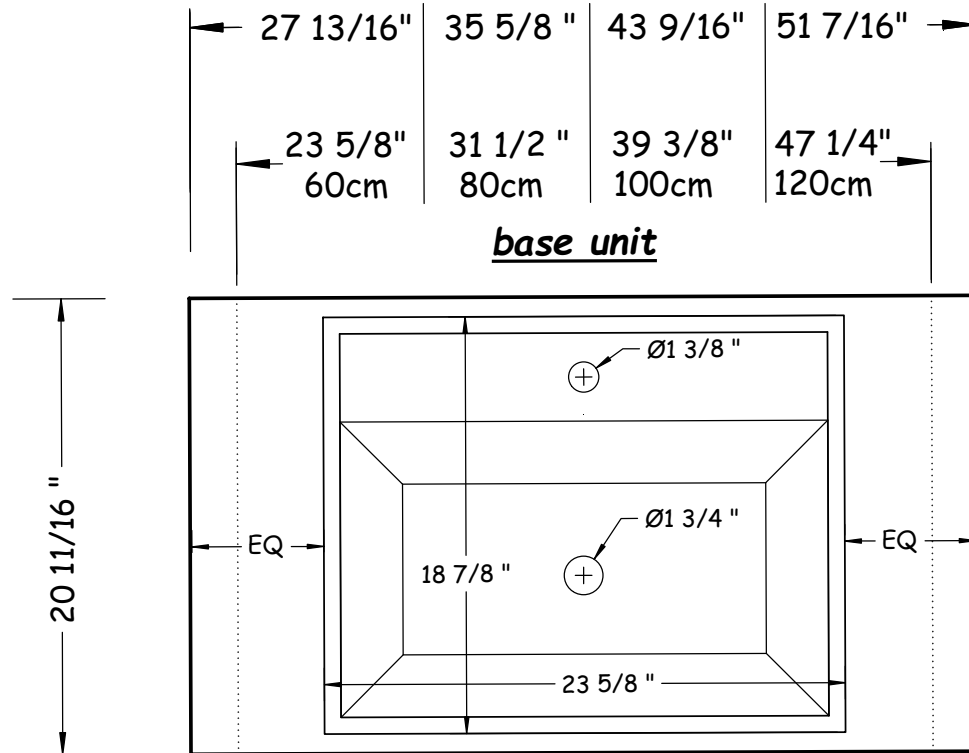
countertop w/ side panels



Porcelain top & integrated basin-LV943

Plan View

countertop w/ side panels



Solid Surface Vessel-LV945/946
matte - LV945 / glossy - LV946

Plan View

