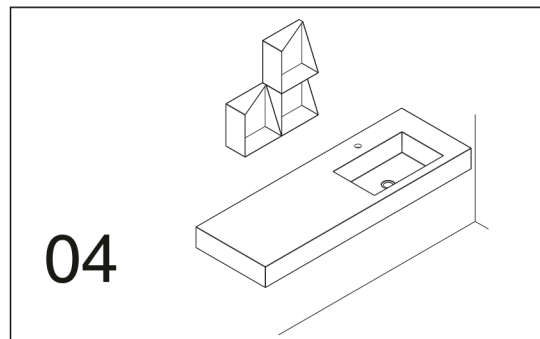
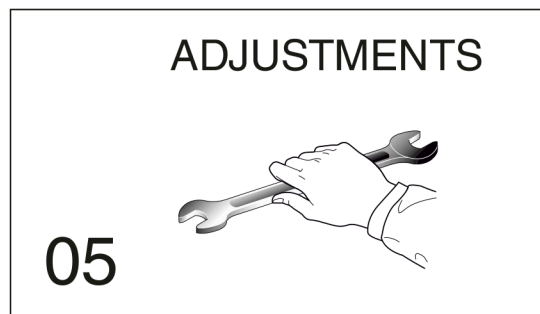


From page **2** - to page **16**



From page **22** - to page **25**



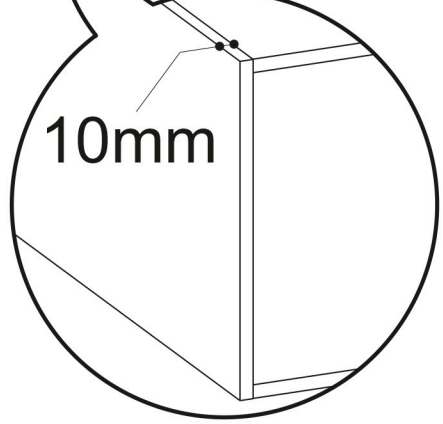
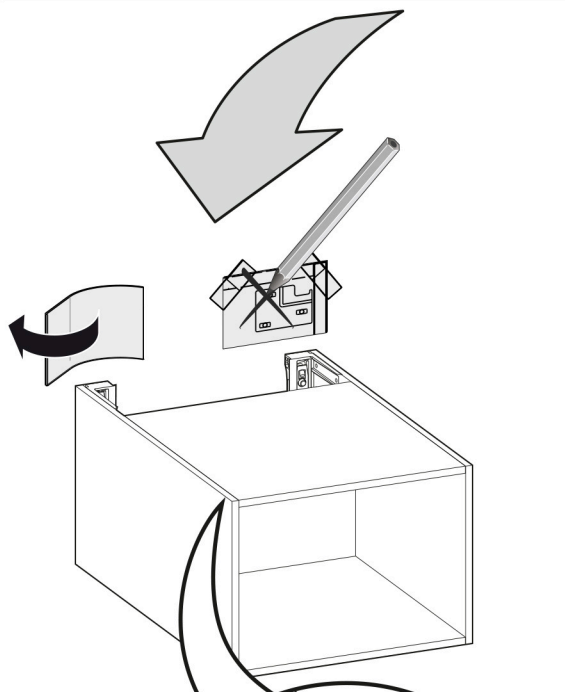
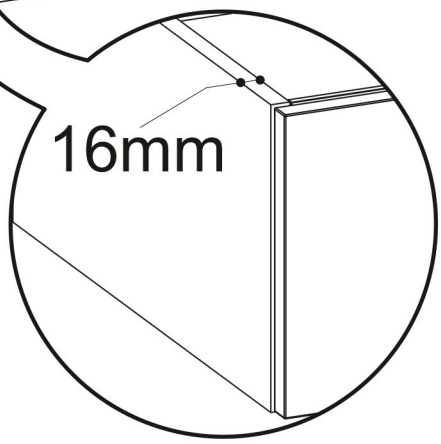
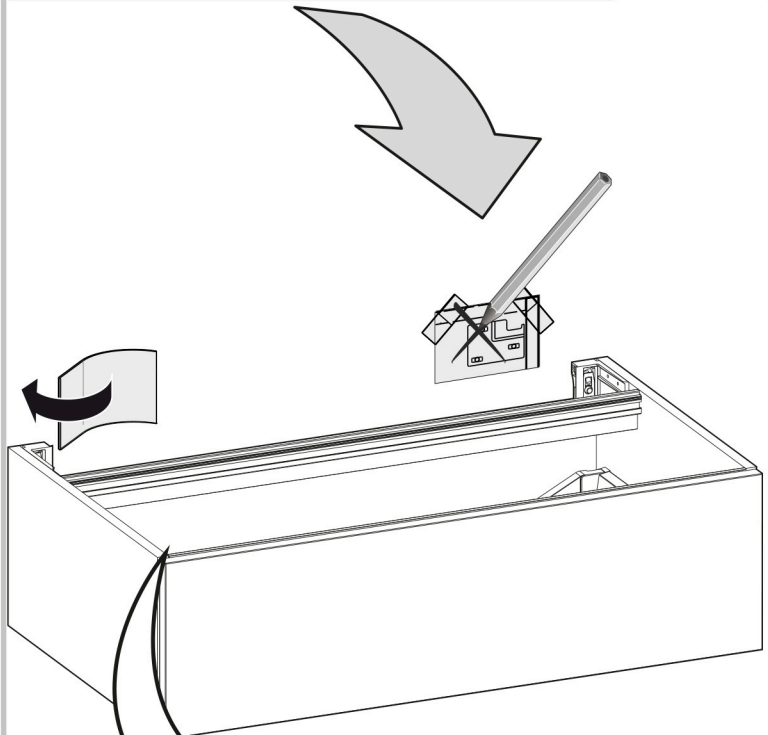
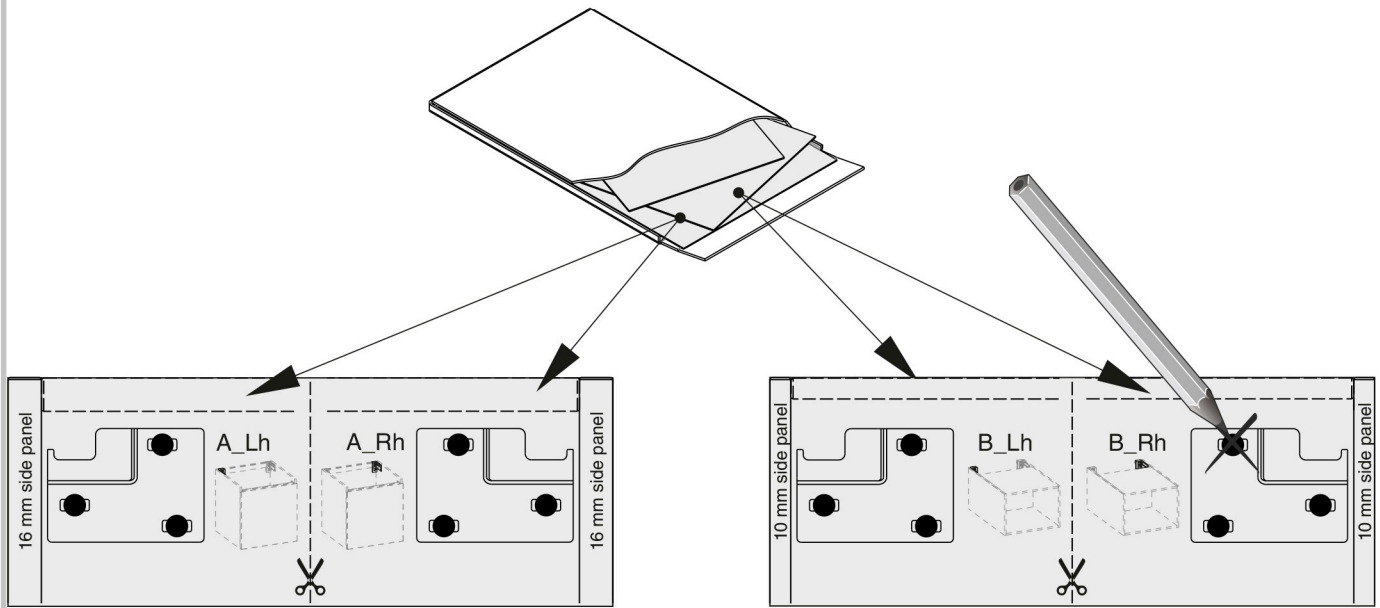
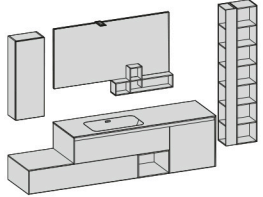
From page **26** - Adjustments **of fixings**

From page **27** - Adjustment **of hinges**

From page **30** - **Drawer** adjustments

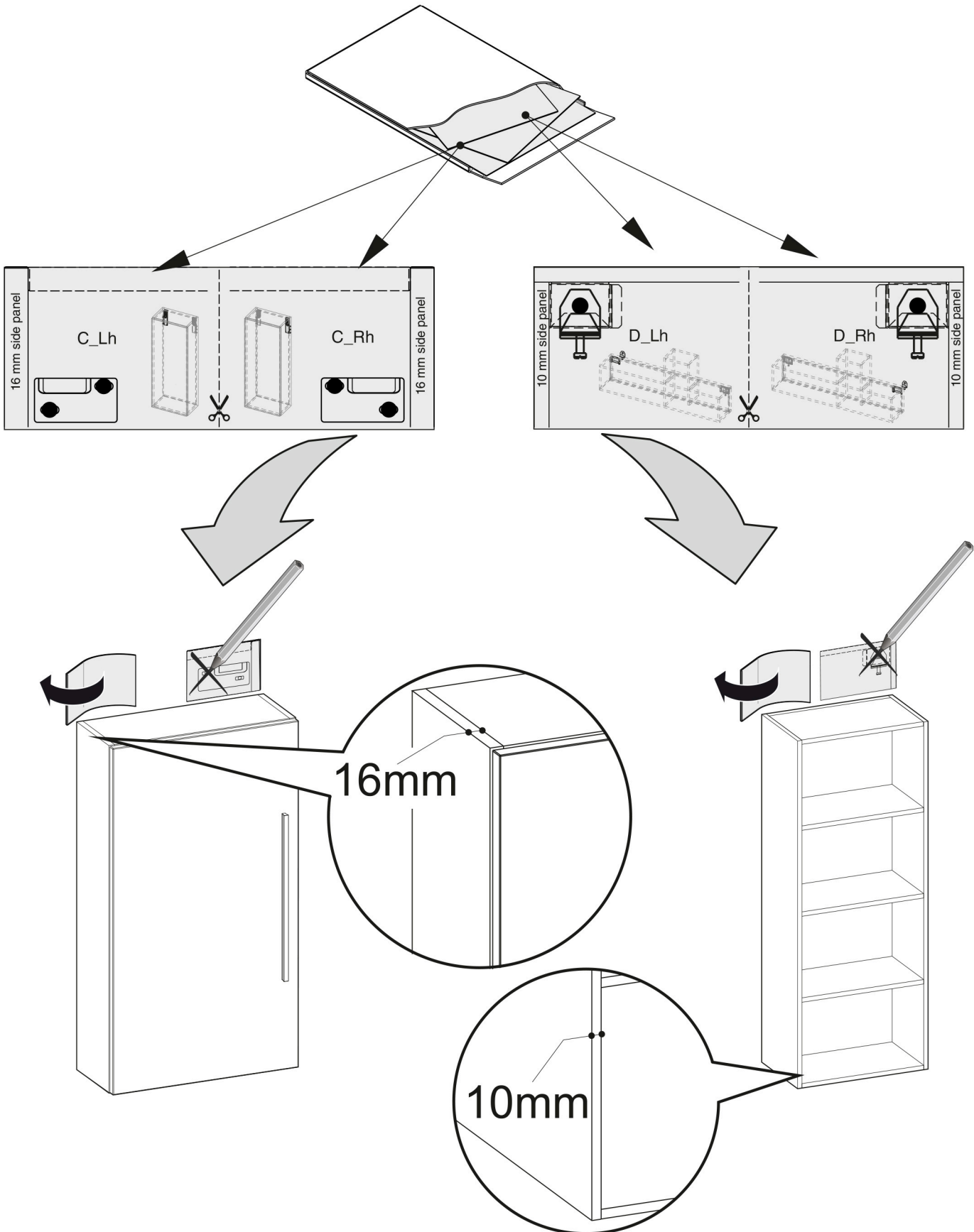
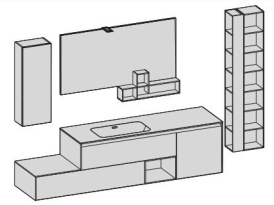
From page **33** - **Flap door** adjustments

01

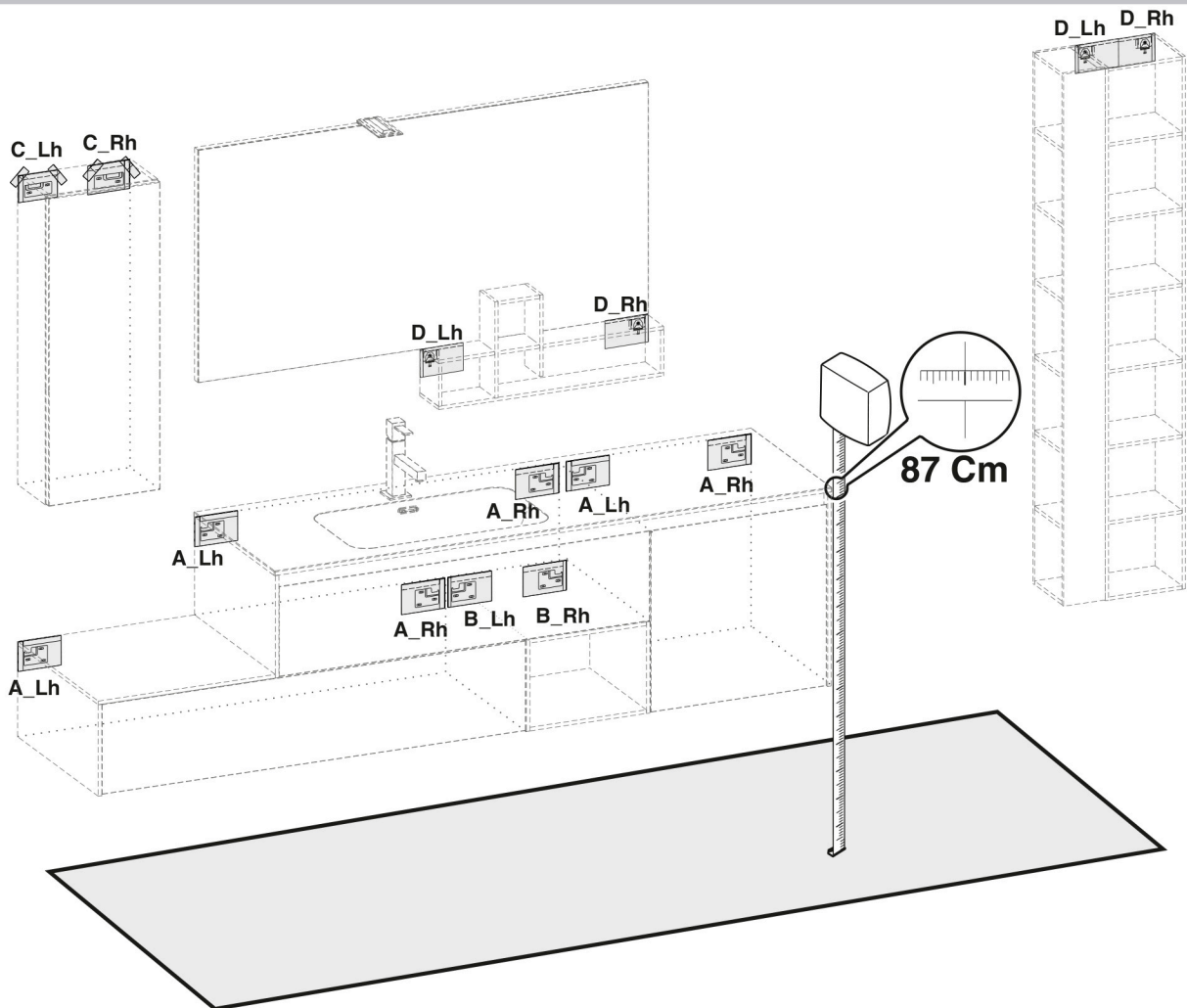
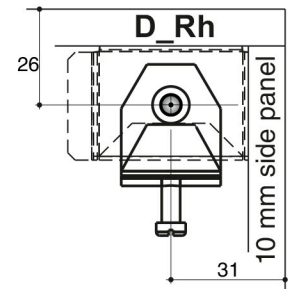
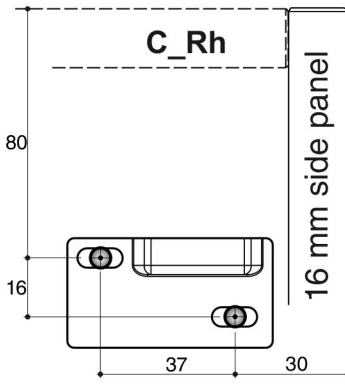
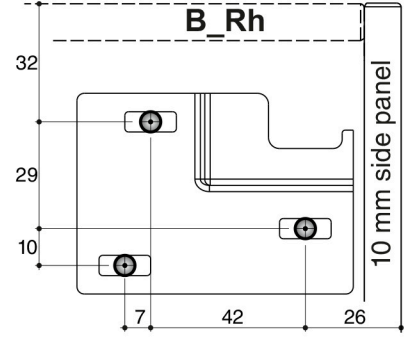
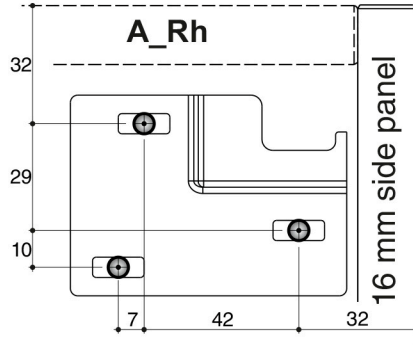
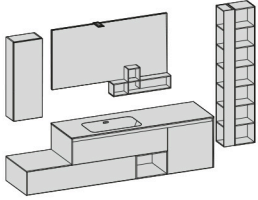


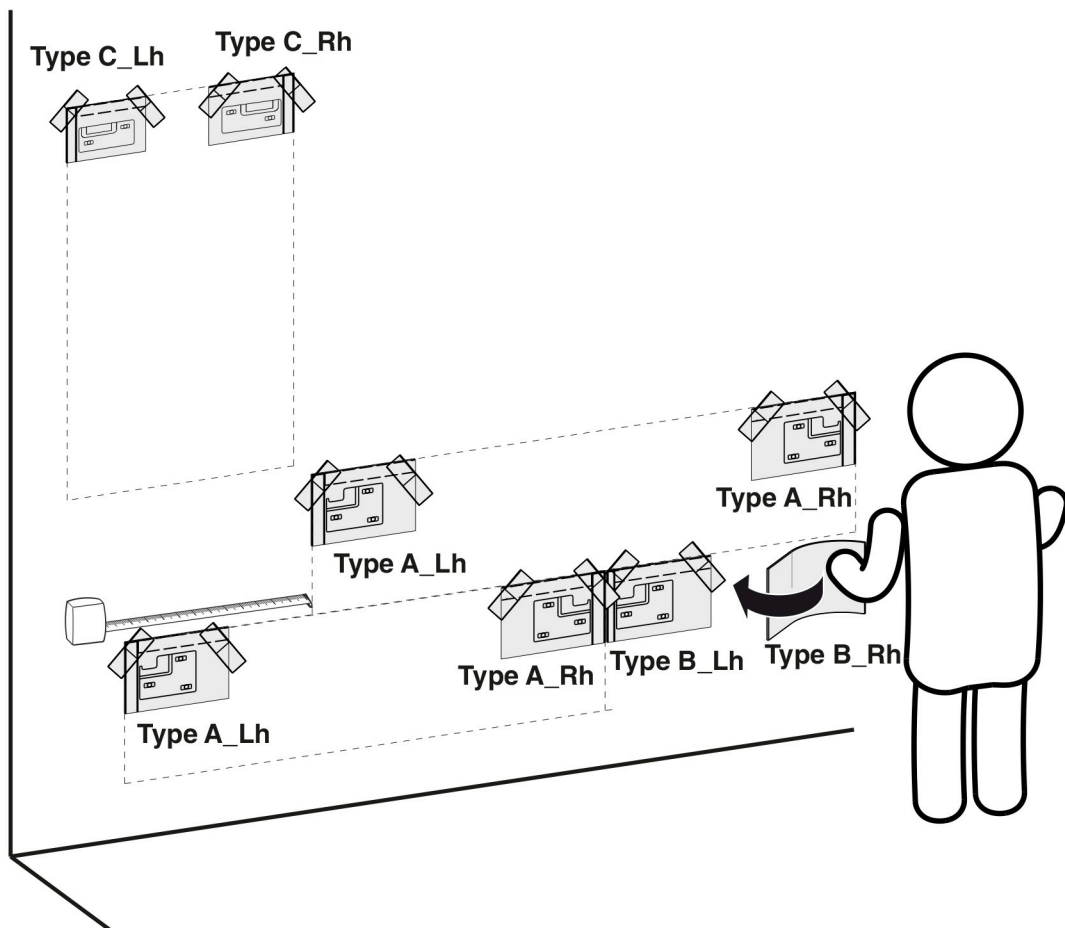
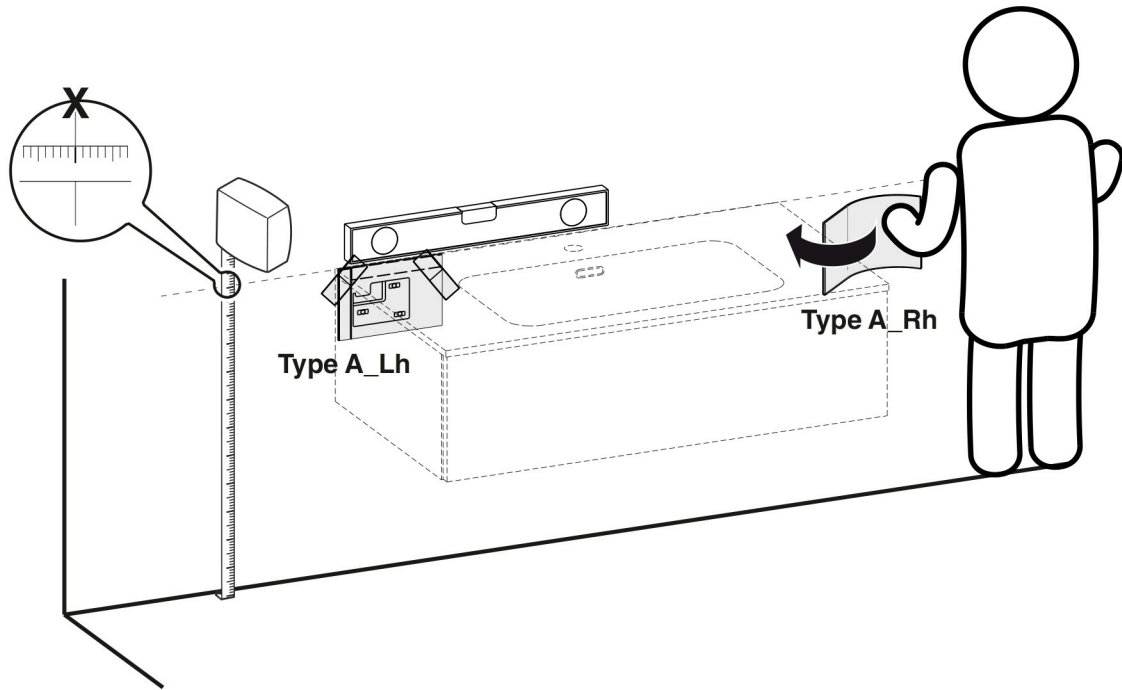
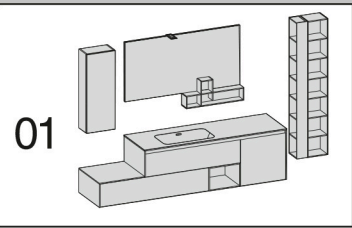


01

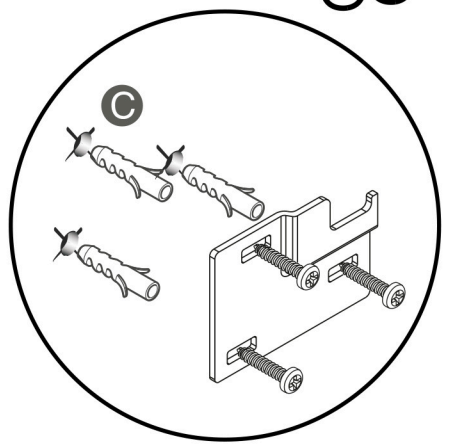
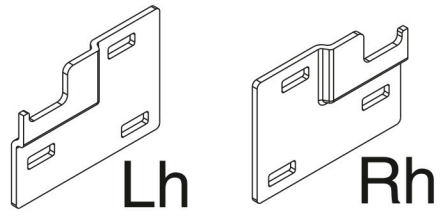
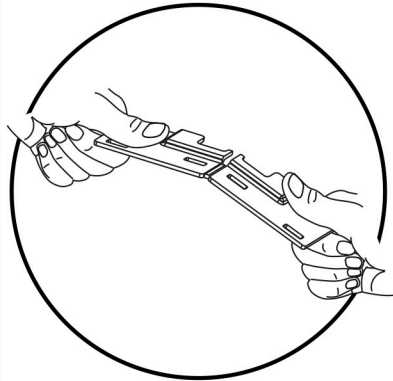
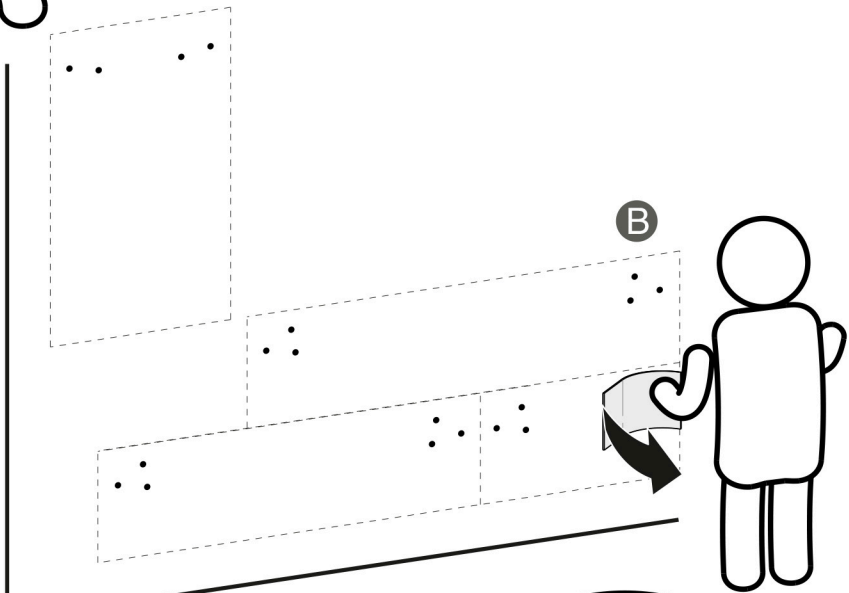
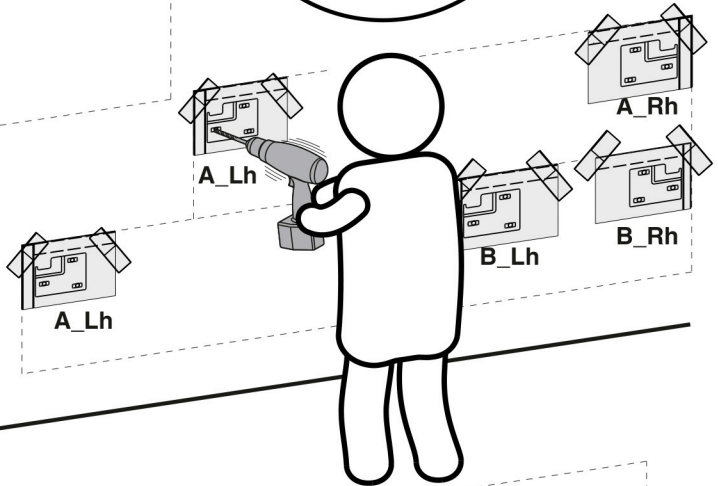
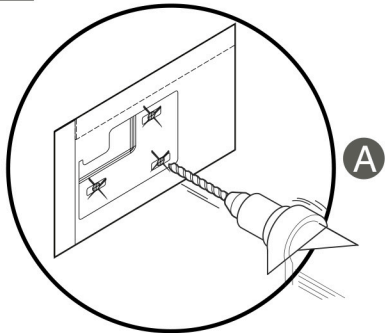
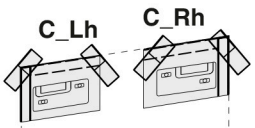
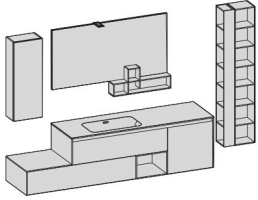


01



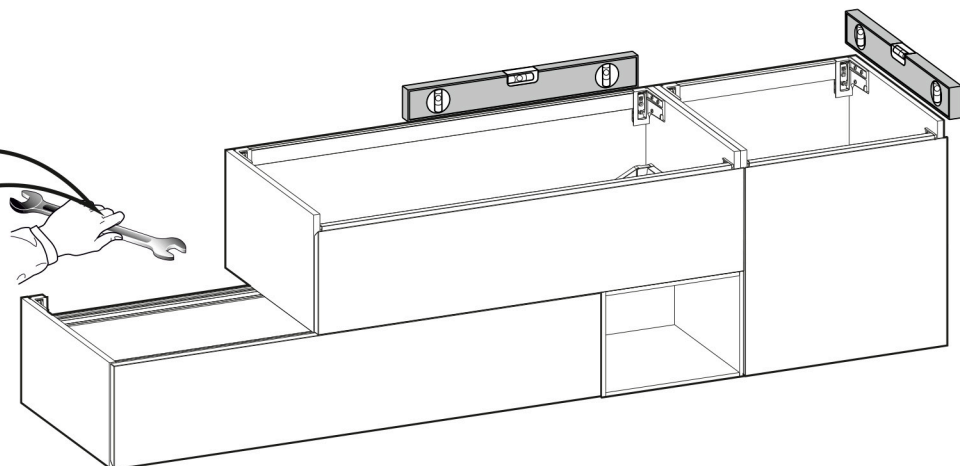
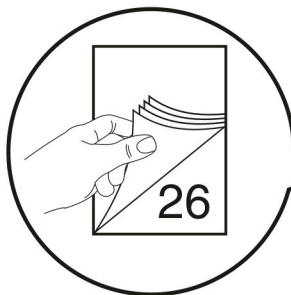
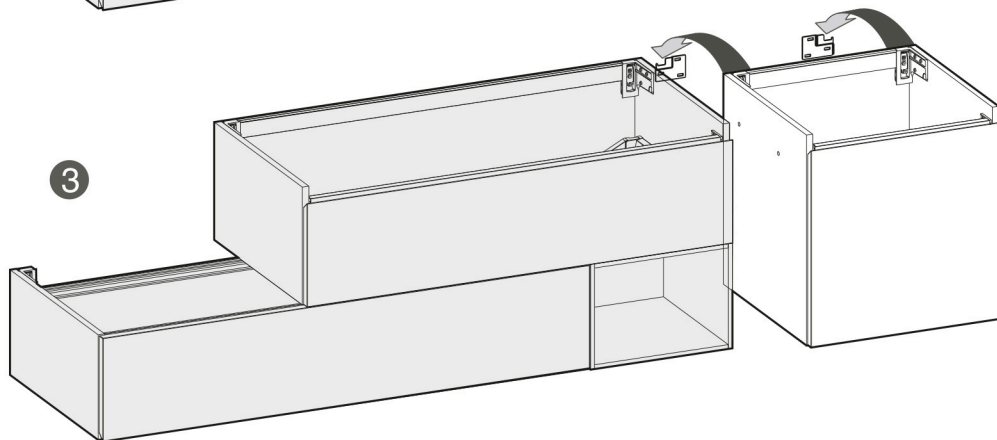
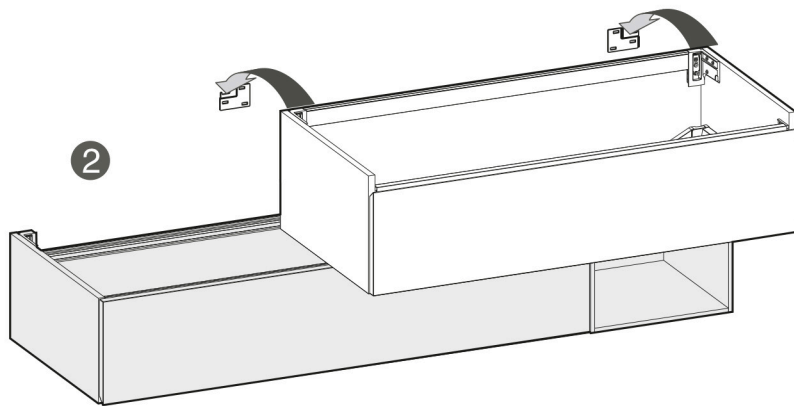
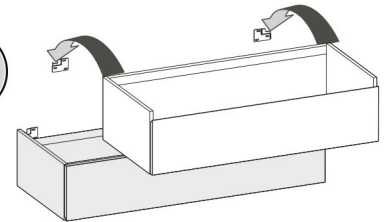
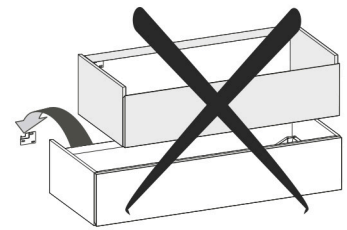
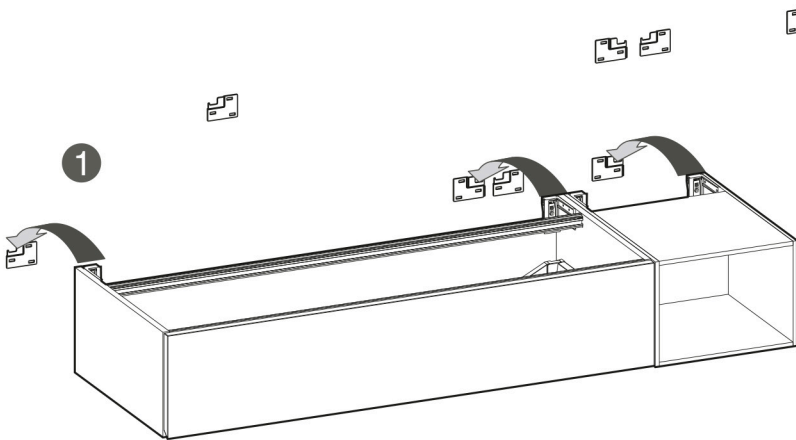
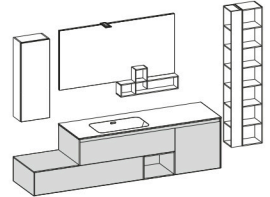


01



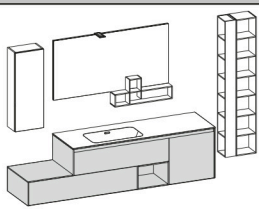


01

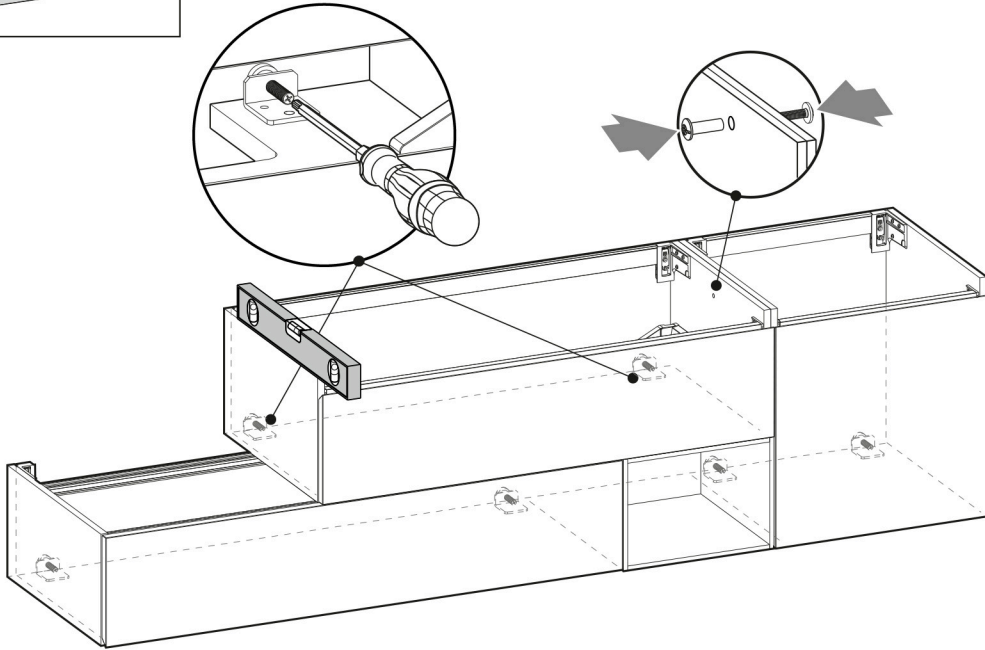




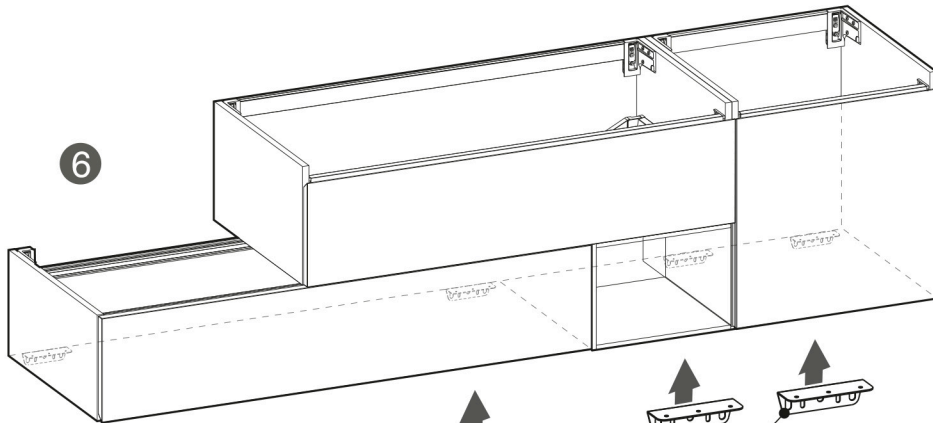
01



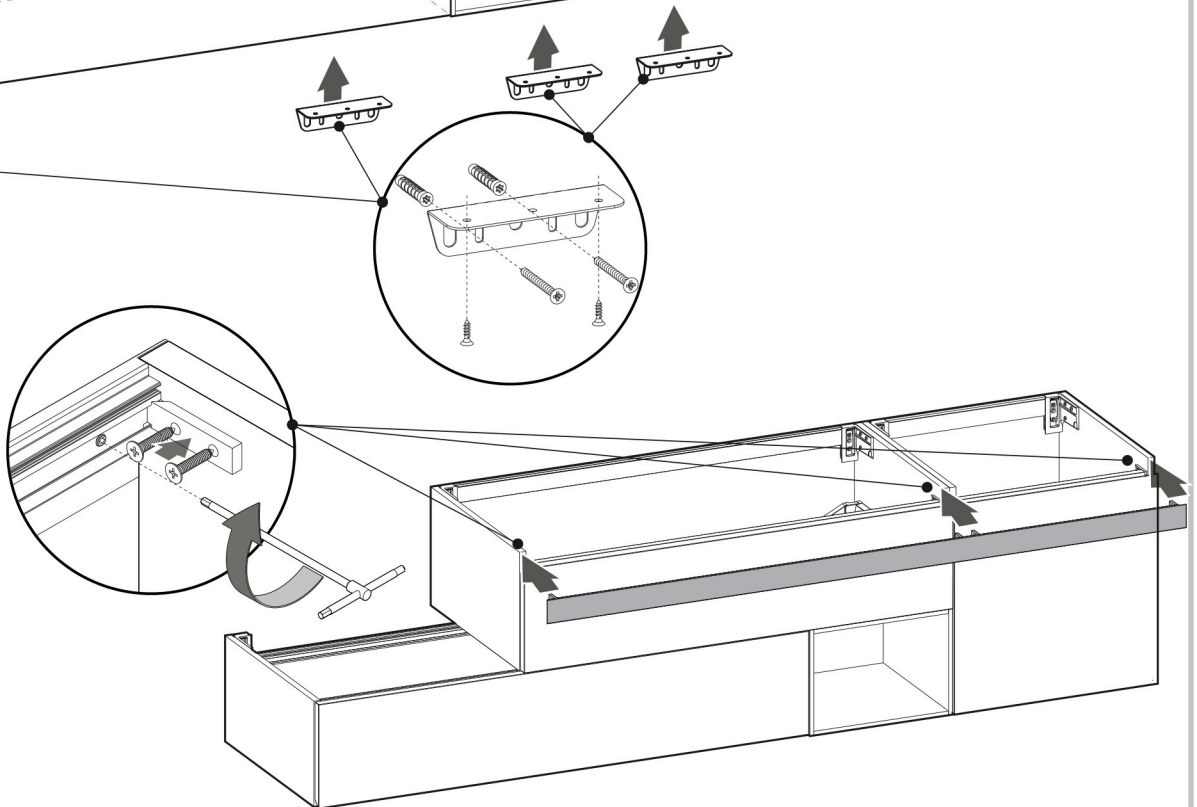
5

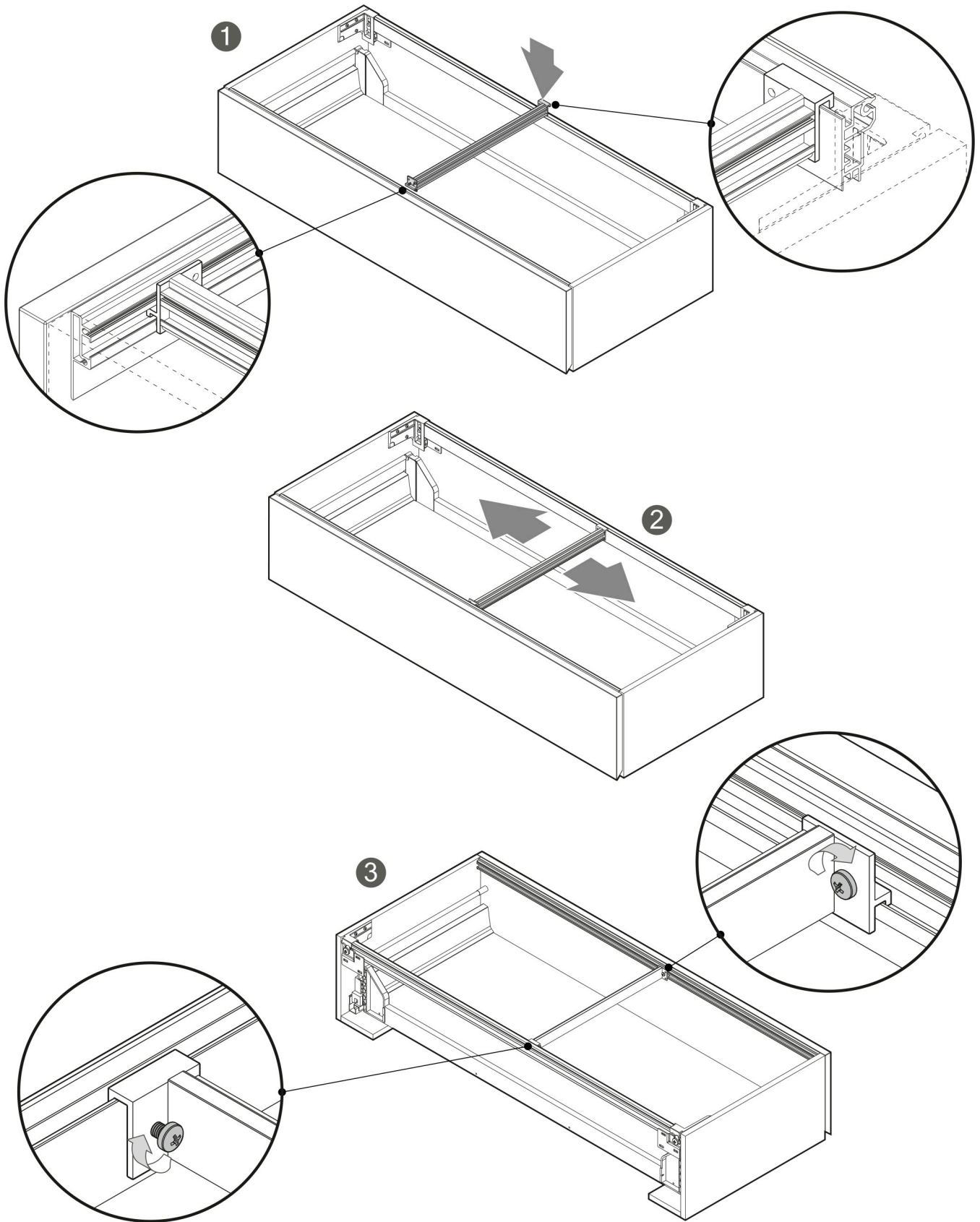
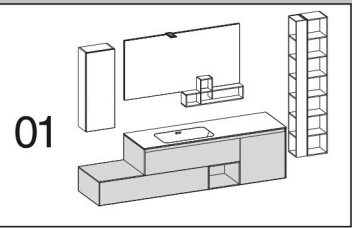


6



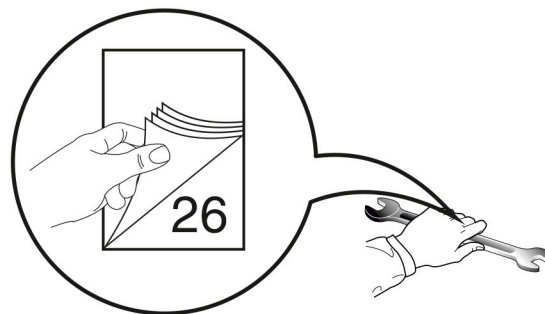
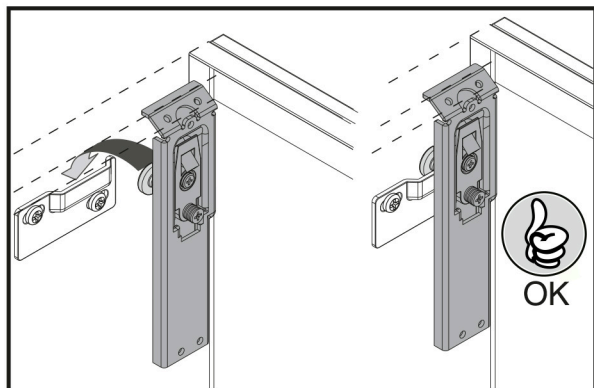
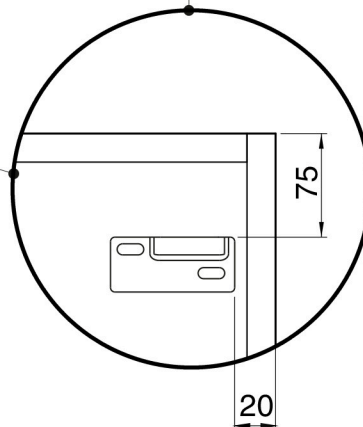
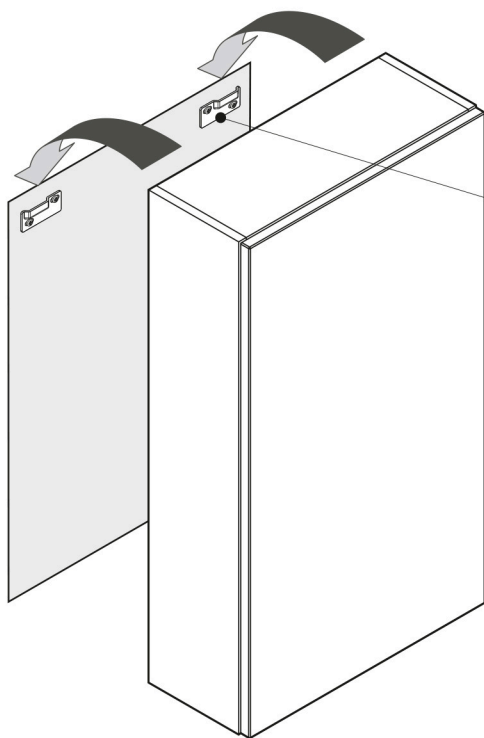
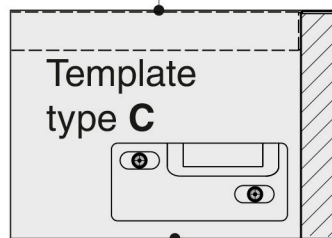
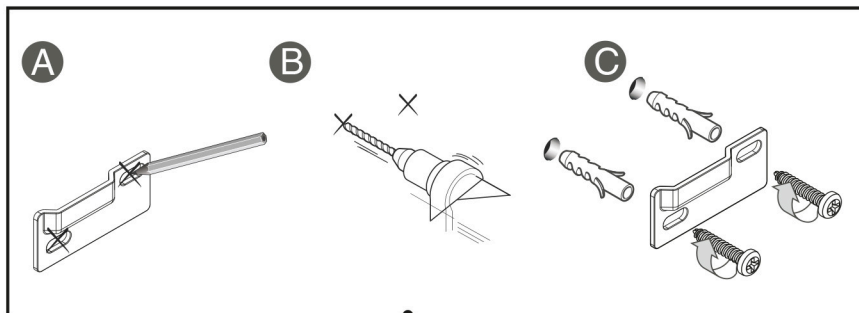
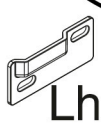
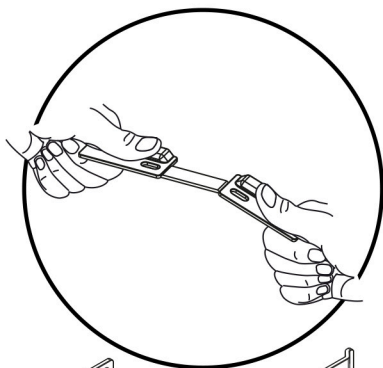
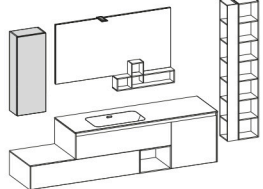
7

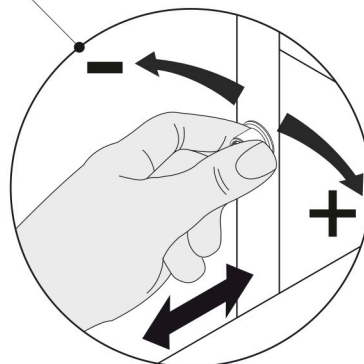
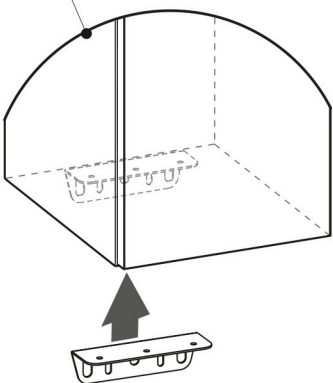
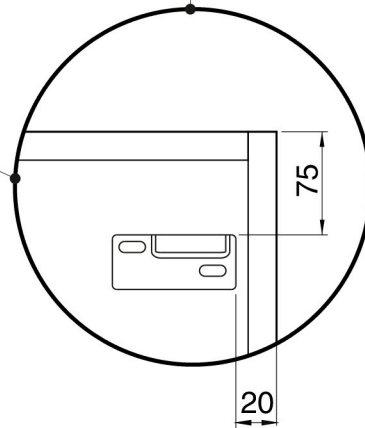
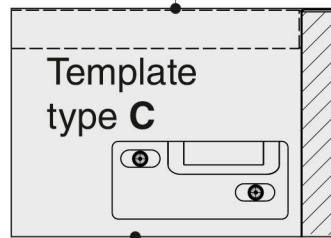
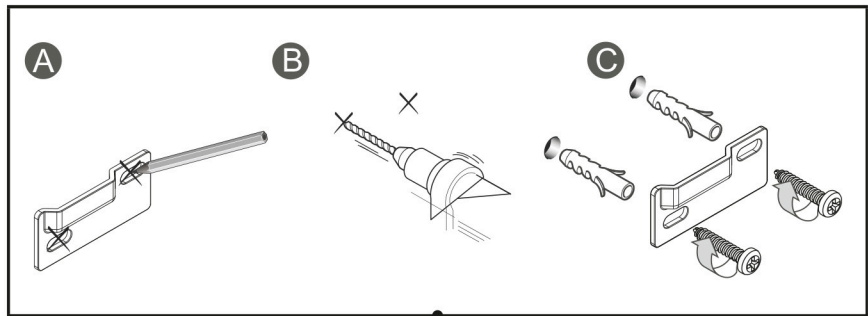
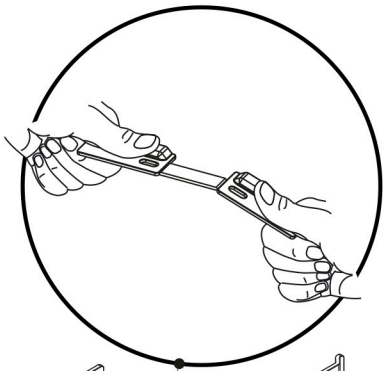
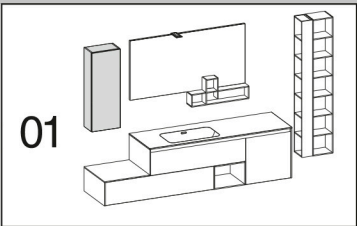




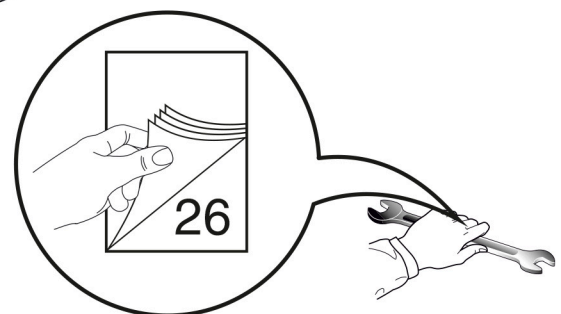
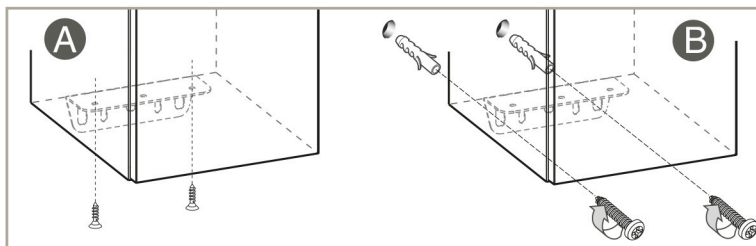


01



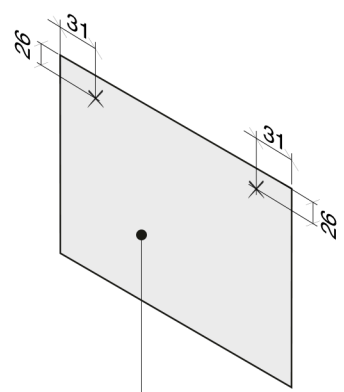
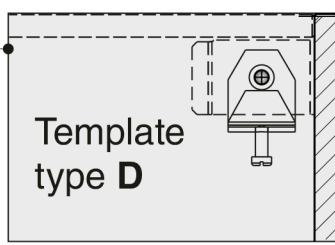
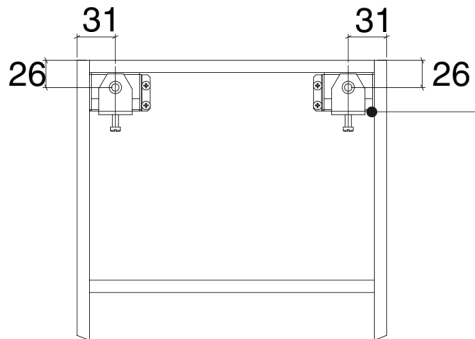
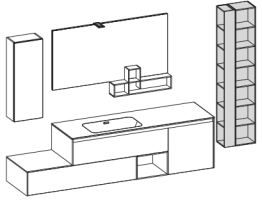


ADJUSTMENT OF
PUSH-TO-OPEN MECHANISM

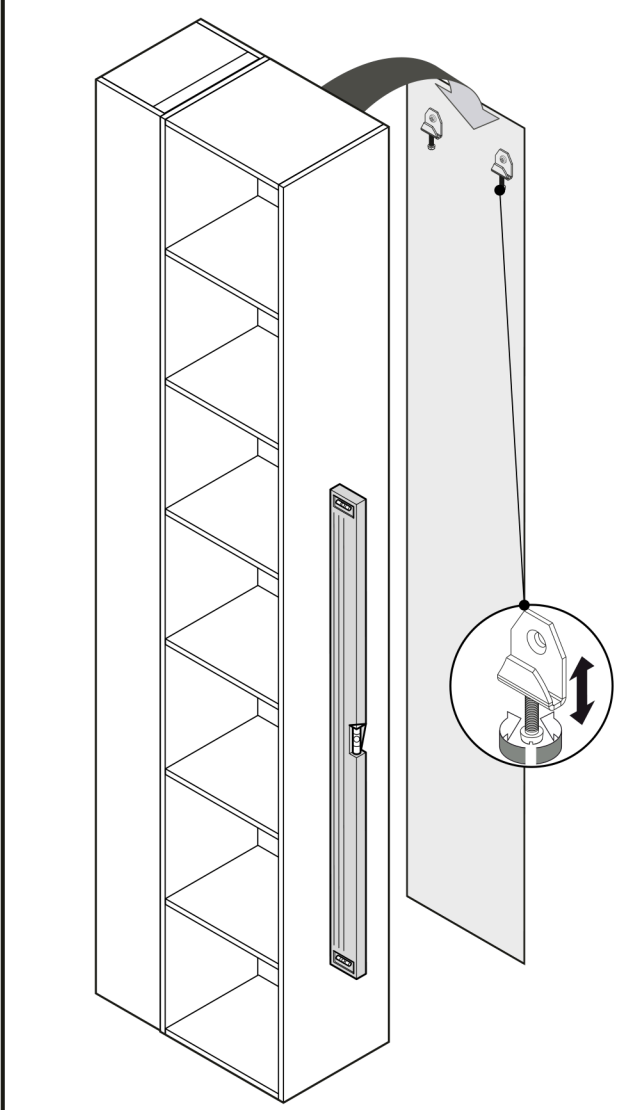
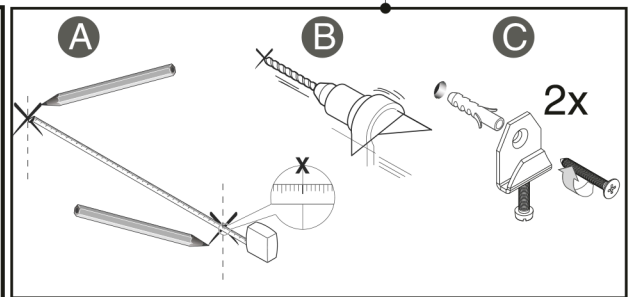
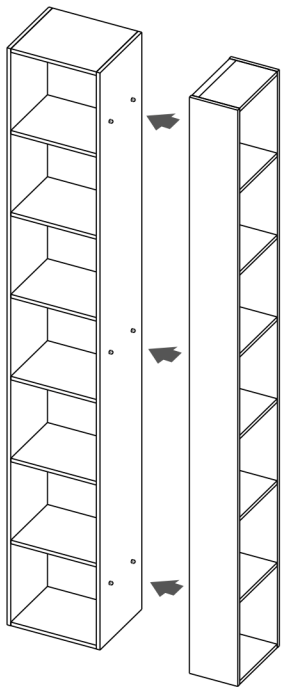
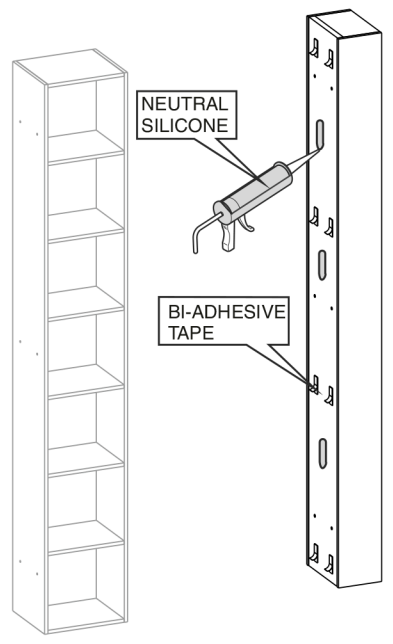
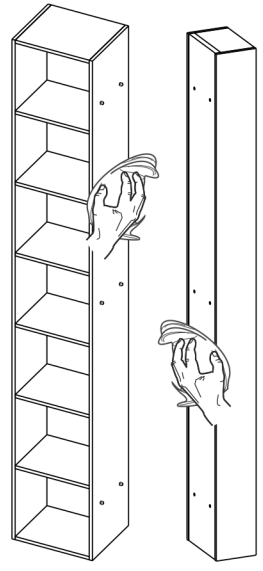




01

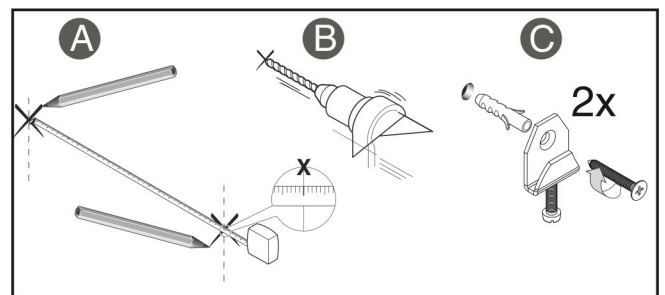
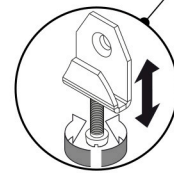
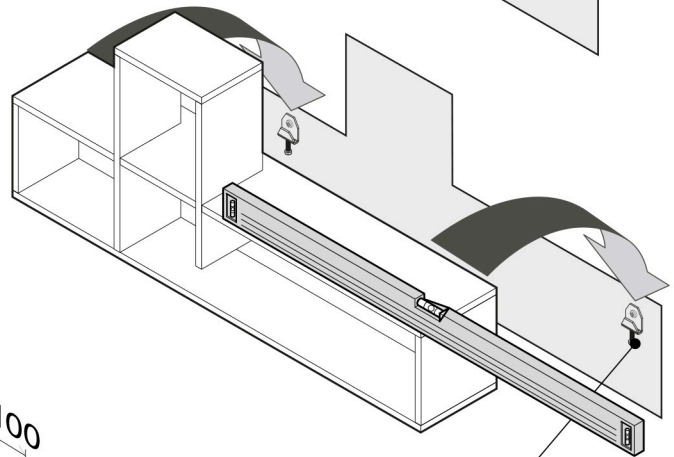
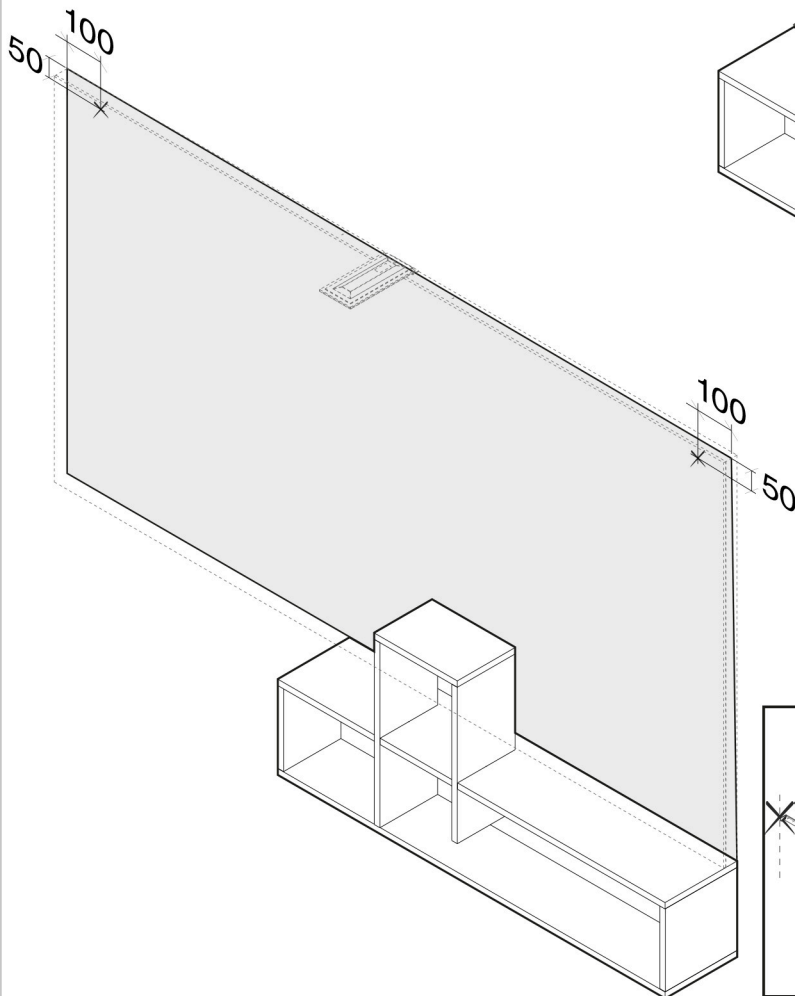
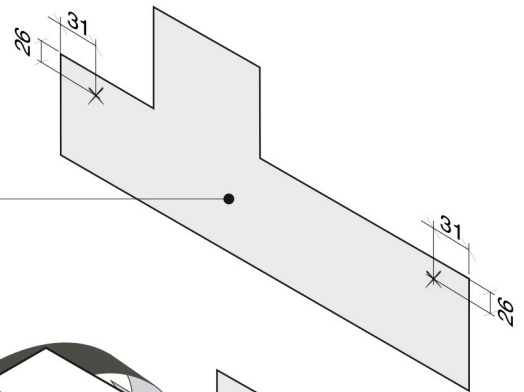
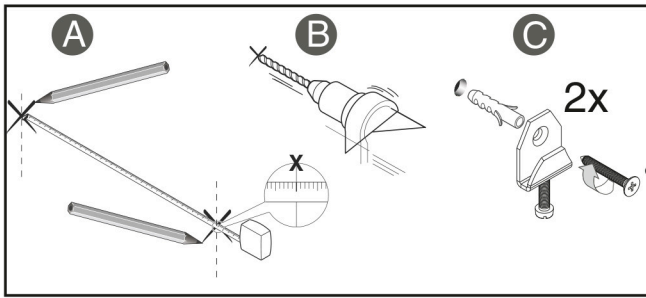
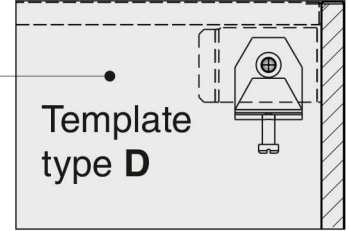
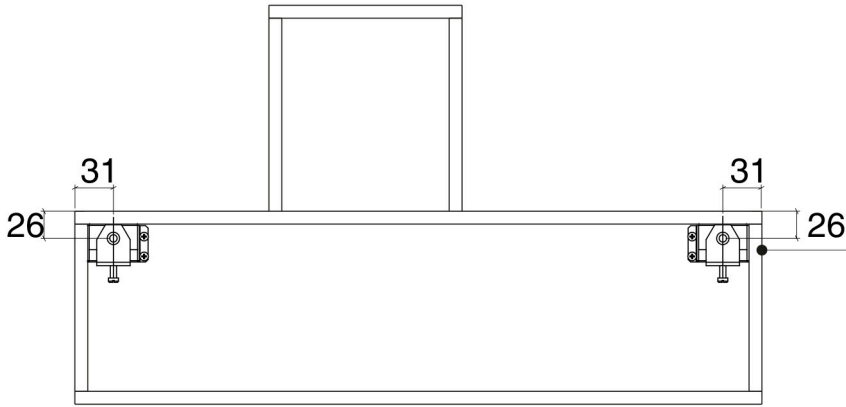
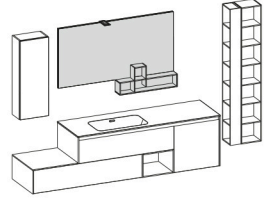


CONNECTING
AN OPEN TALL UNIT
TO AN OPEN END MODULE

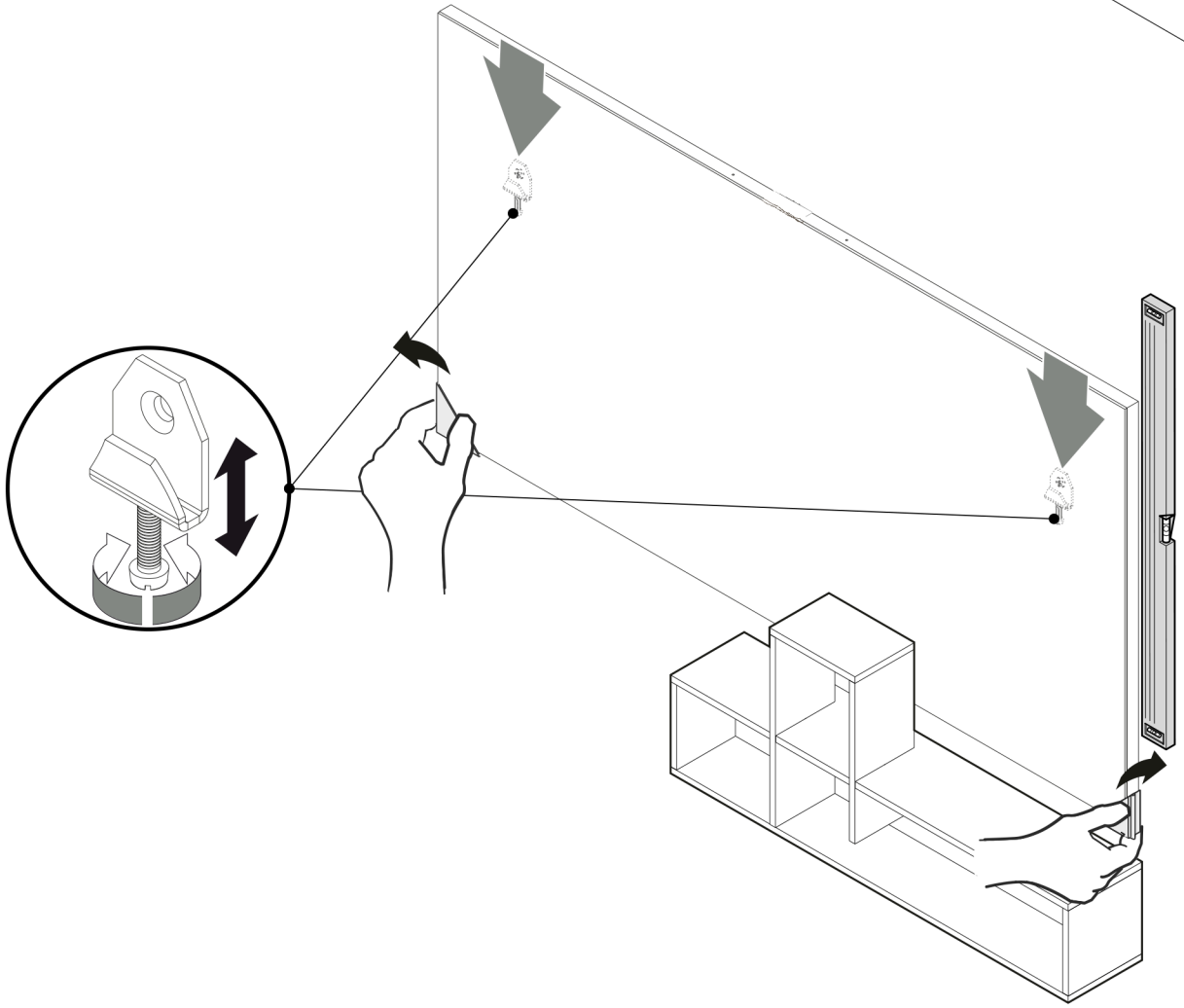
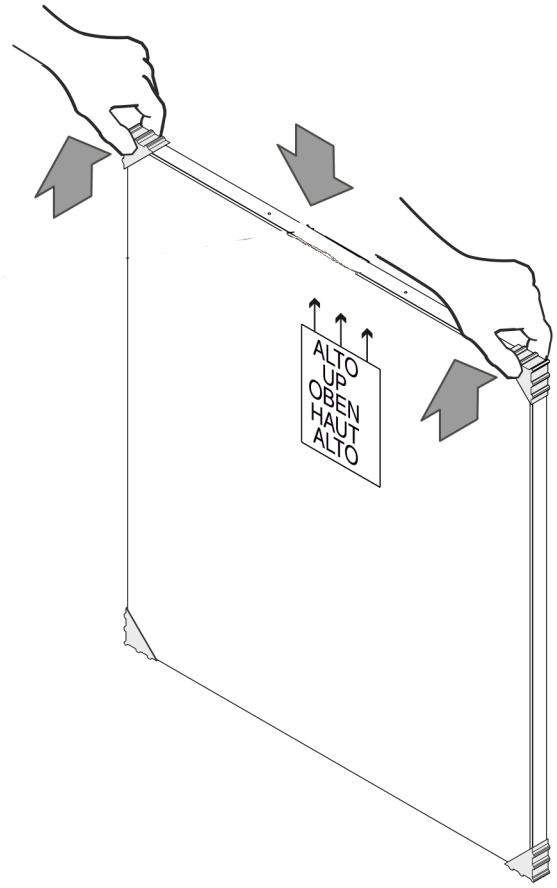
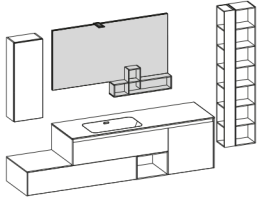


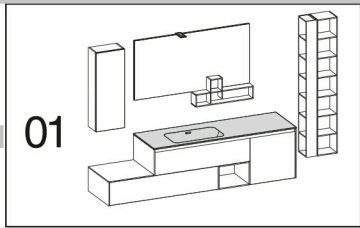


01



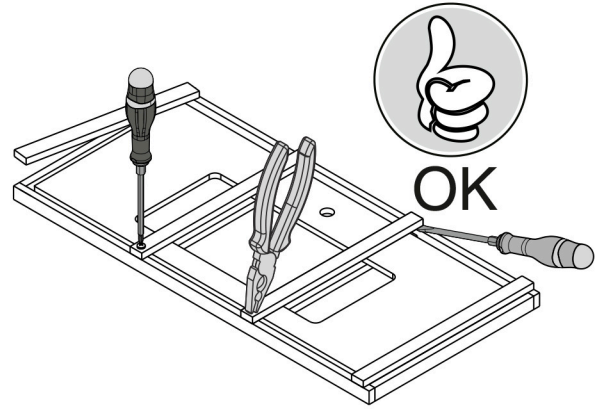
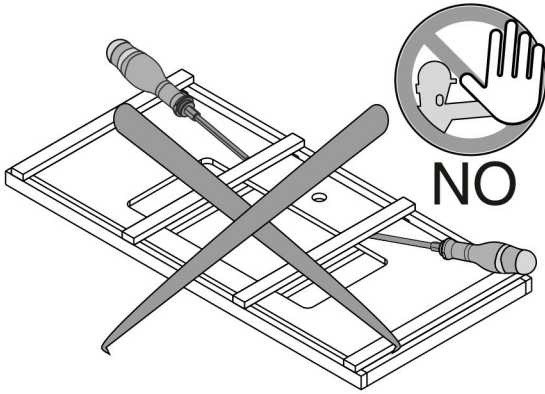
01



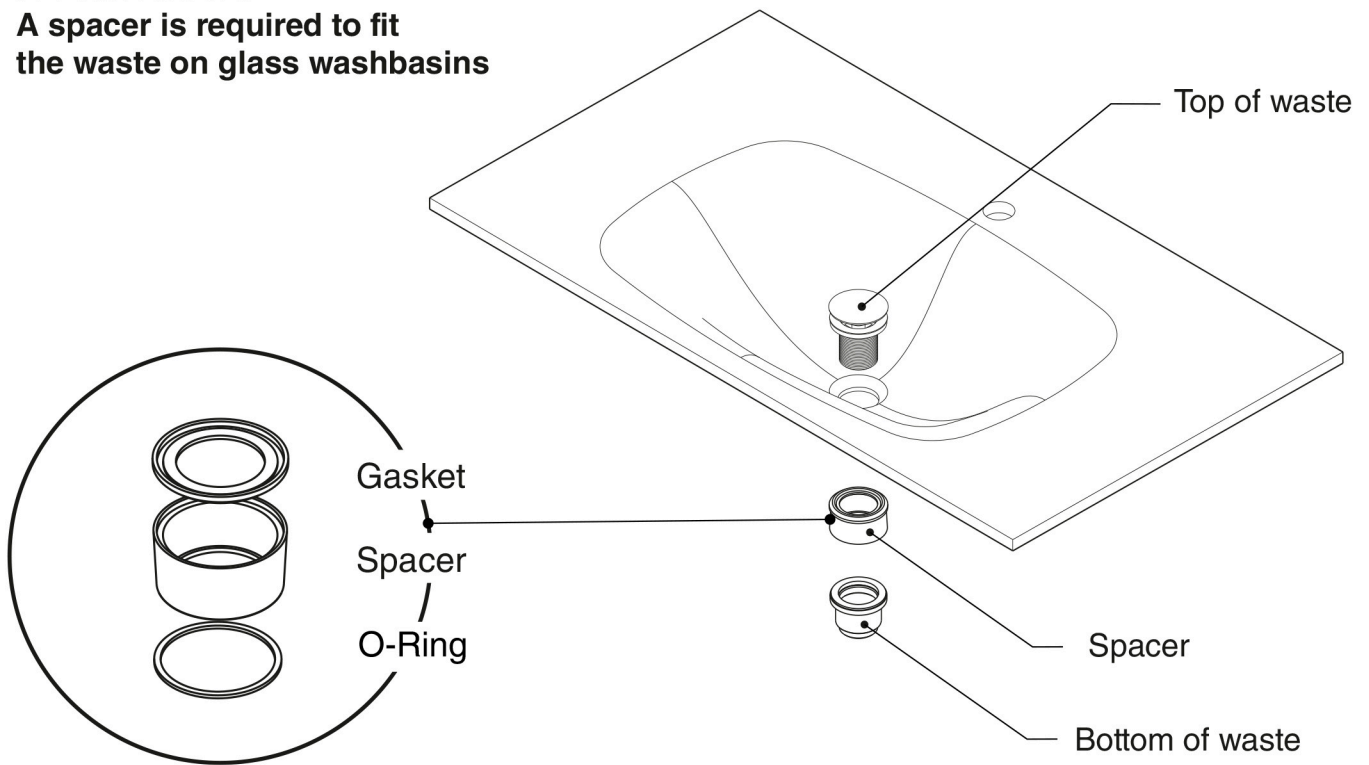


01

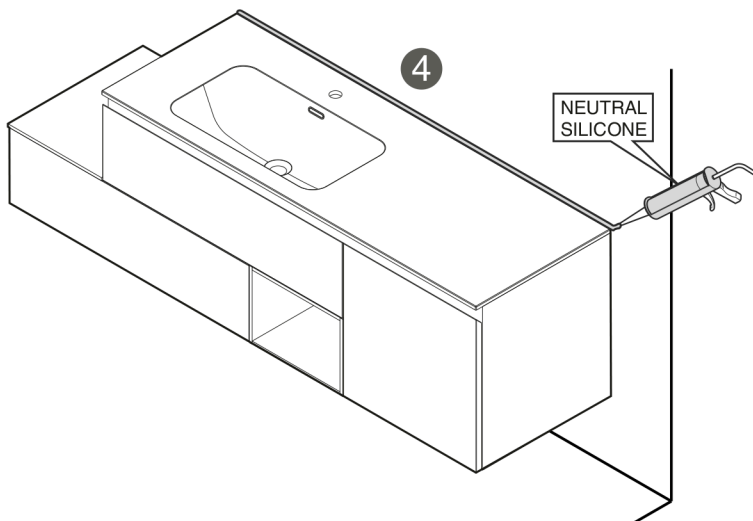
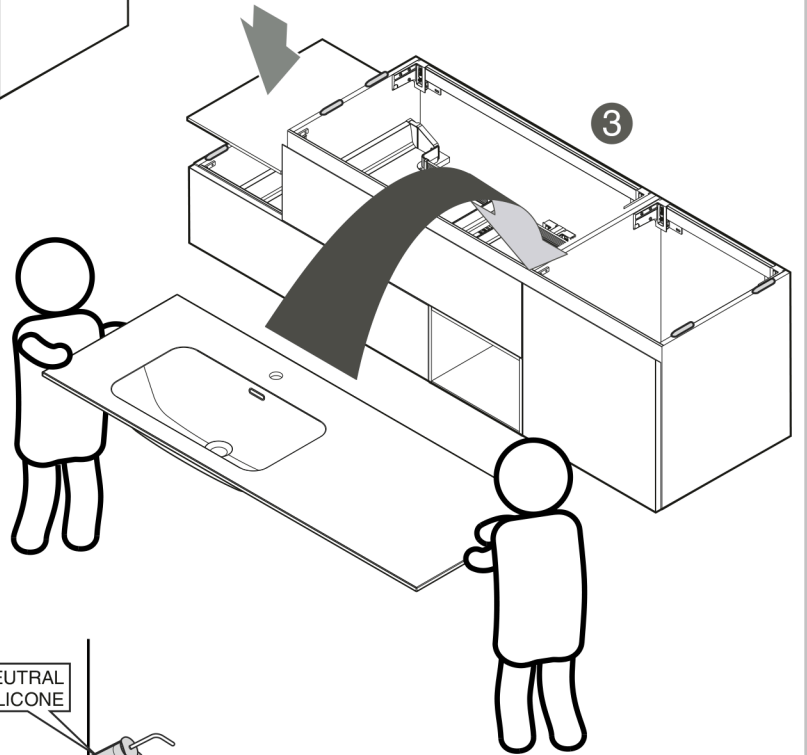
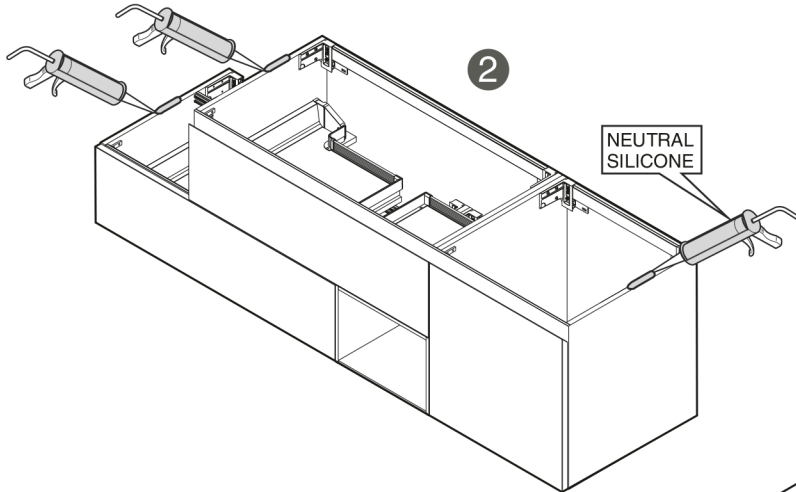
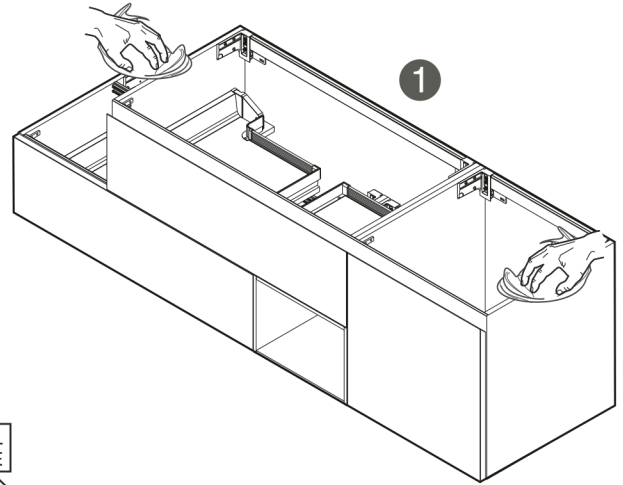
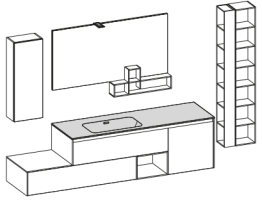
HOW TO REMOVE THE PACKAGING



PLEASE NOTE:
A spacer is required to fit
the waste on glass washbasins

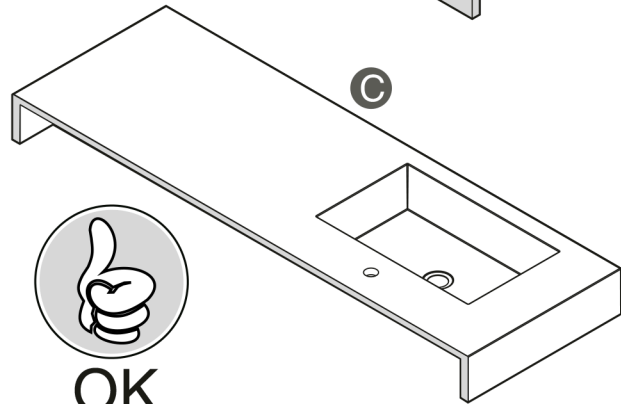
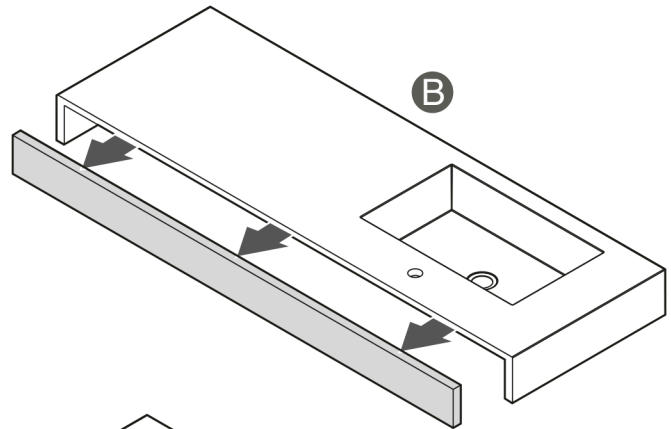
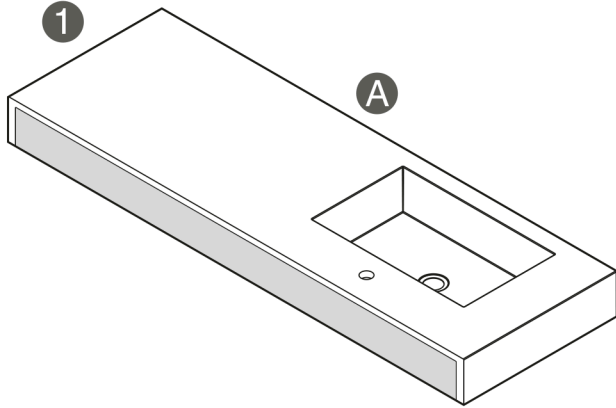


01

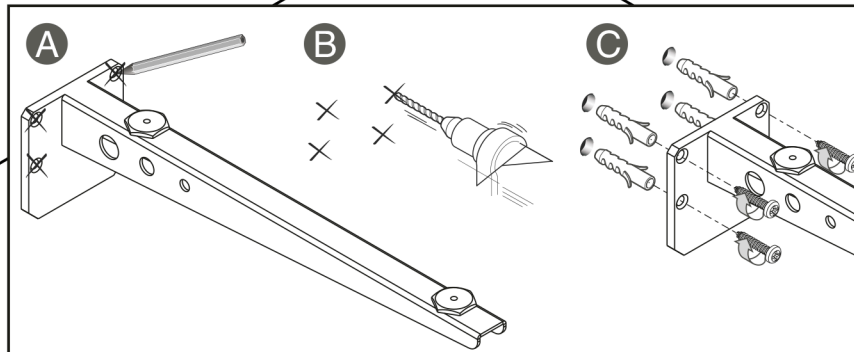
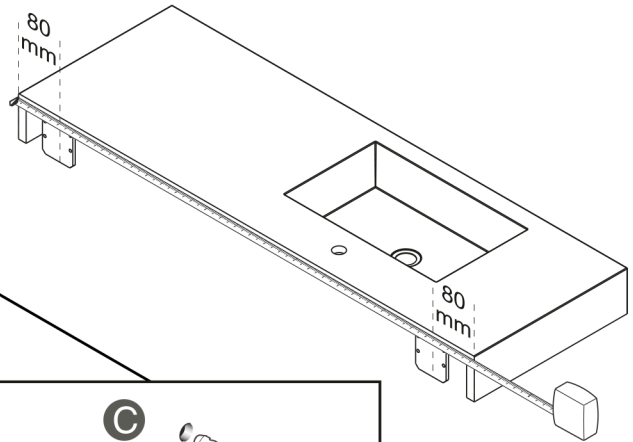
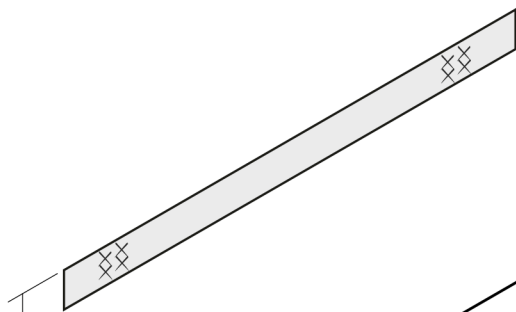


04

REMOVE ALL PROTECTIONS
BEFORE COMMENCING ASSEMBLY

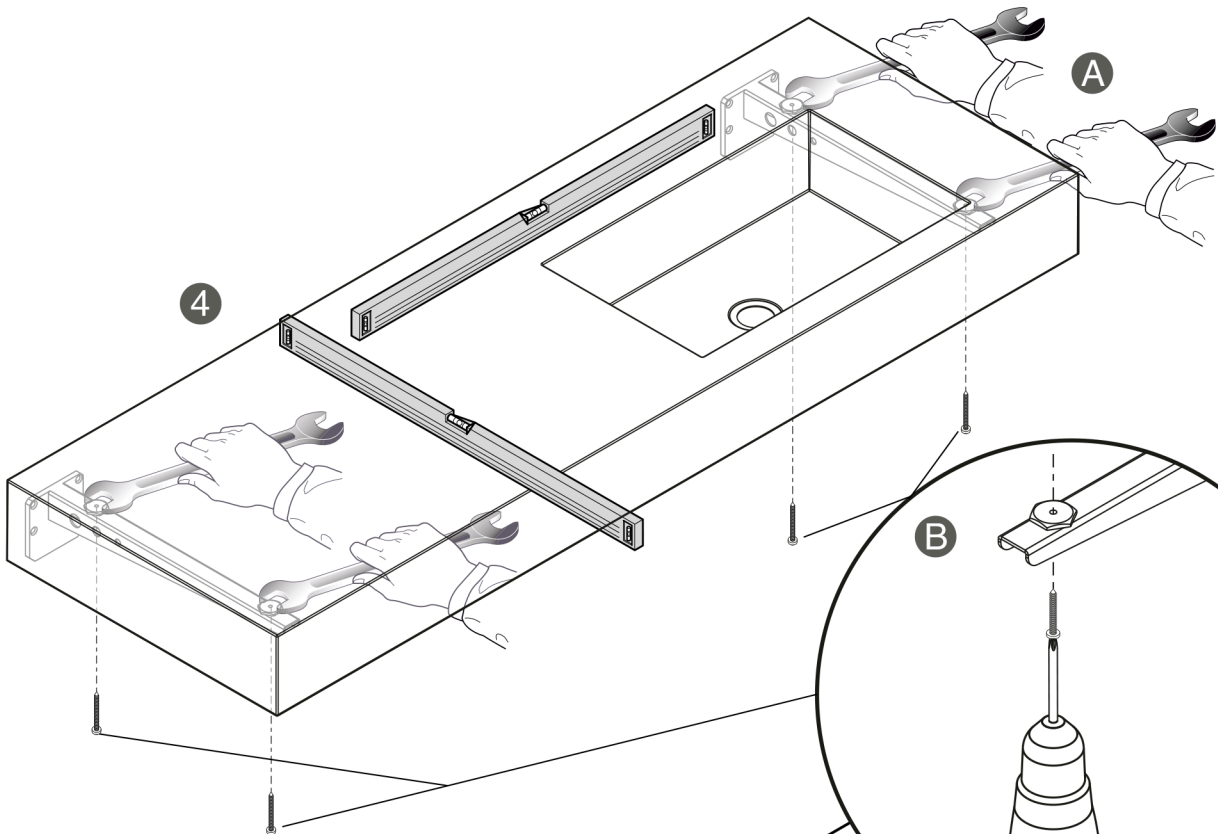
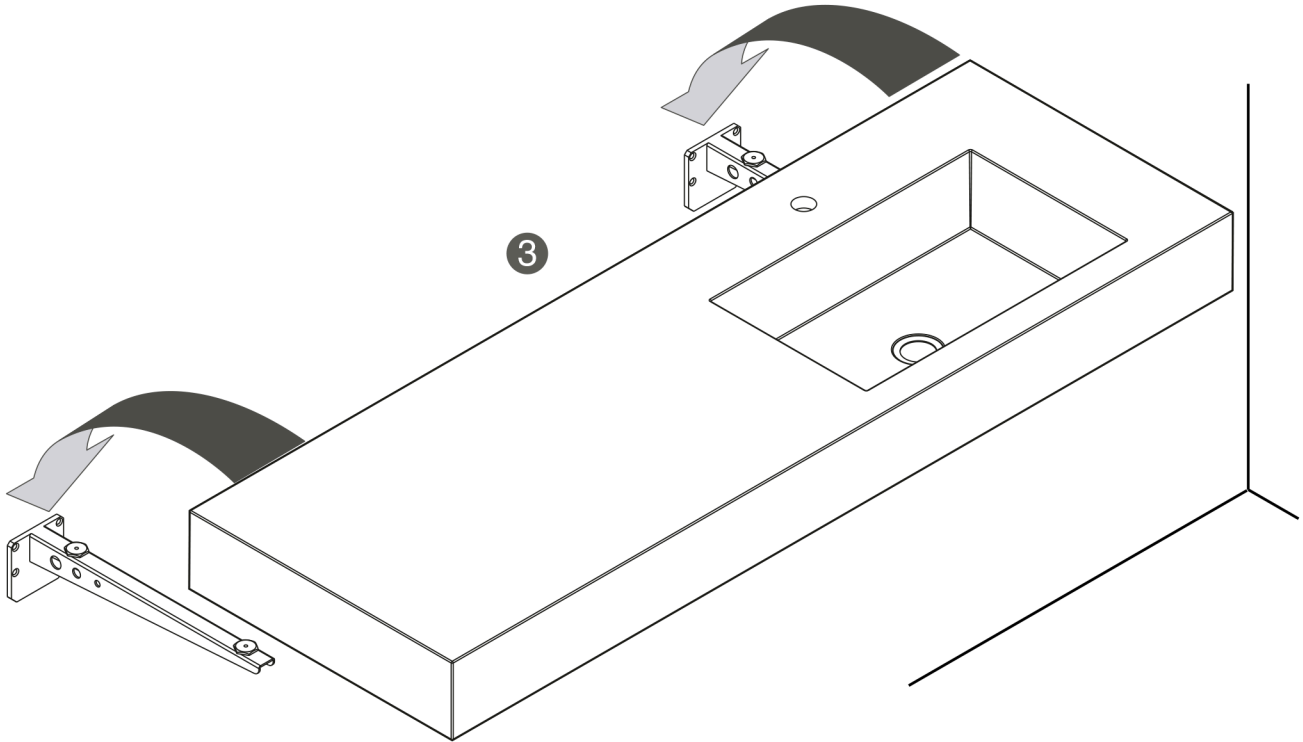
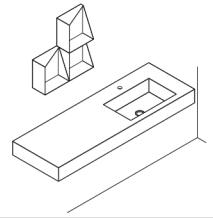


2





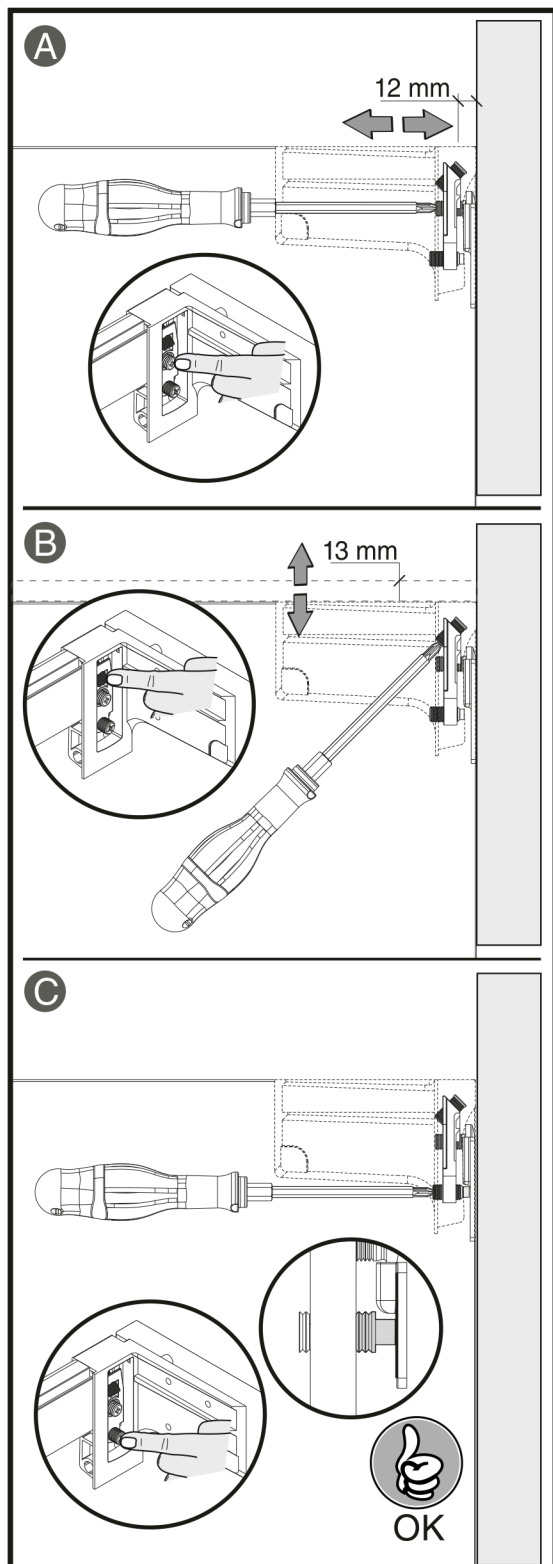
04



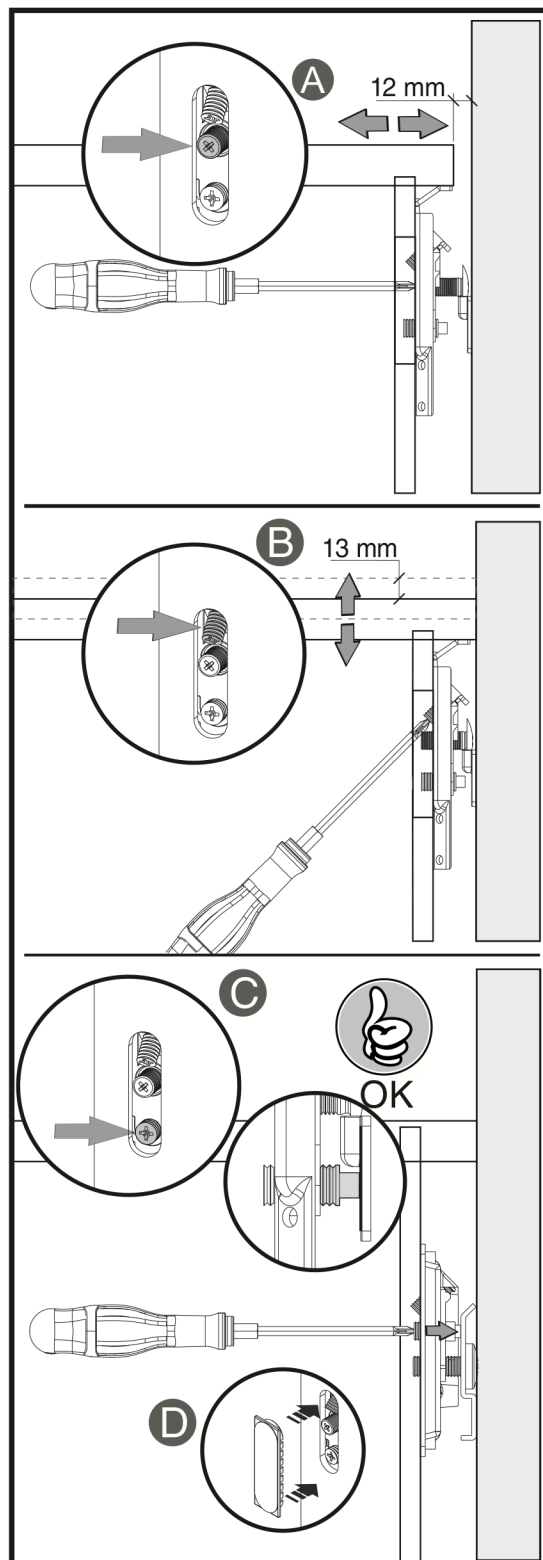
05

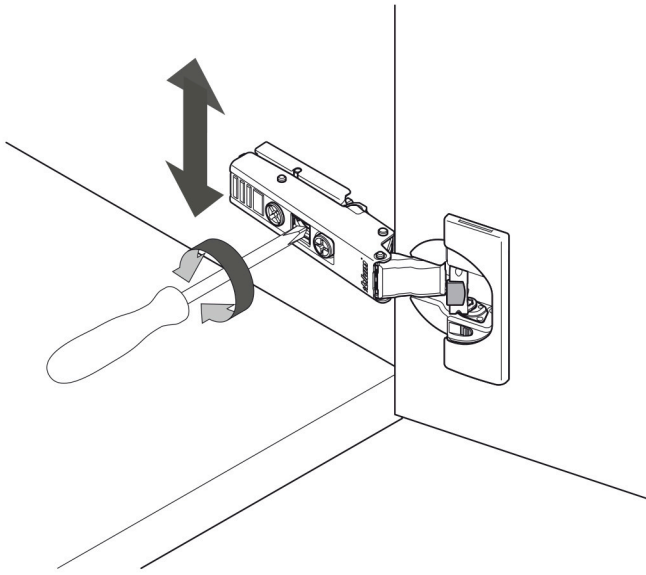


ADJUSTMENT OF FIXINGS
TYPE **A** and **B** FOR BASE UNITS

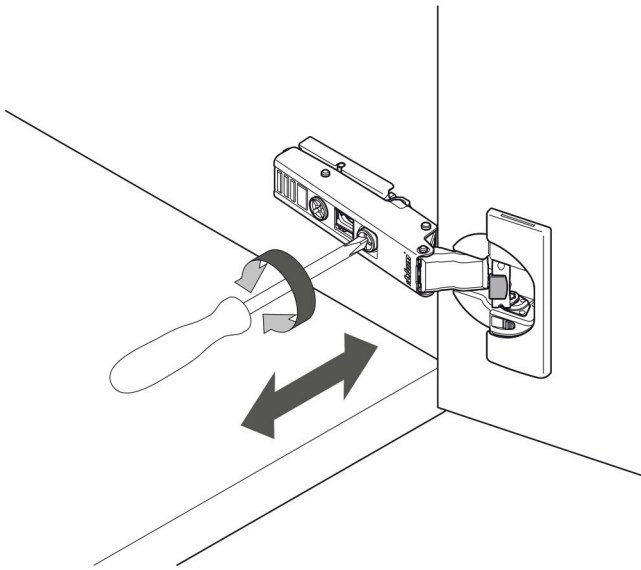


ADJUSTMENT OF FIXINGS
TYPE **C** FOR PENSINULA/TALL UNITS

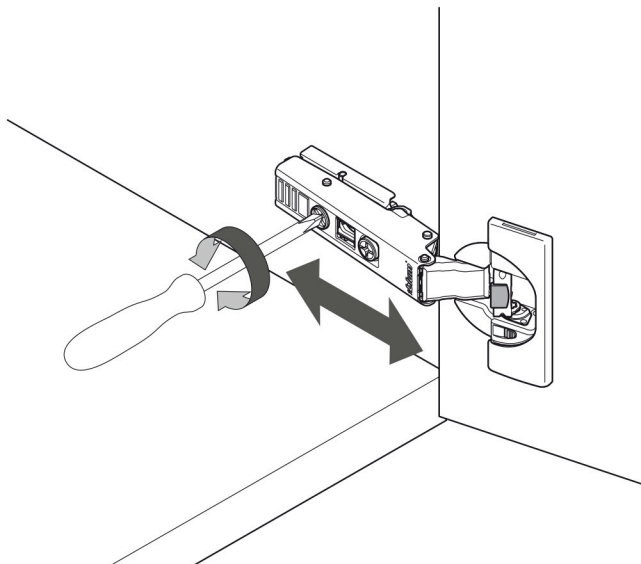




VERTICAL ADJUSTMENT



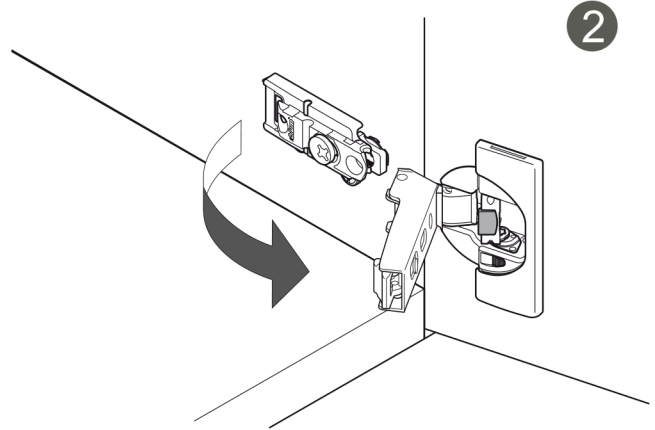
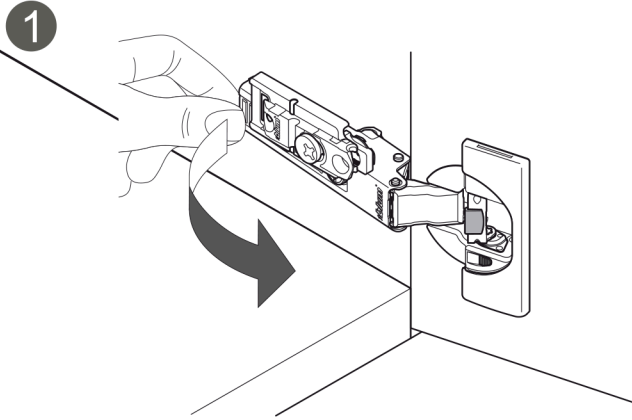
SIDE ADJUSTMENT



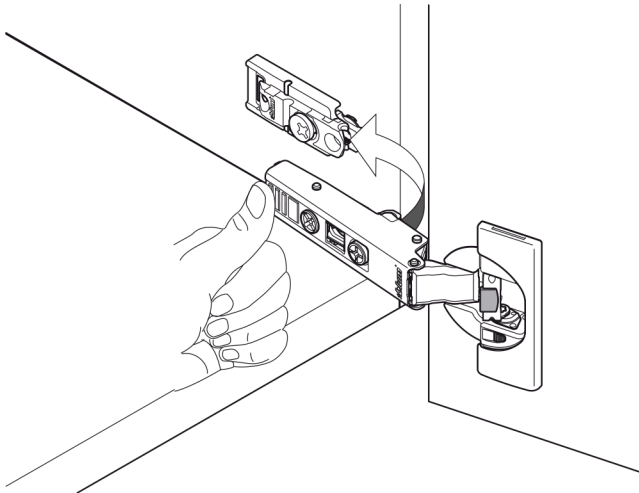
FRONT ADJUSTMENT



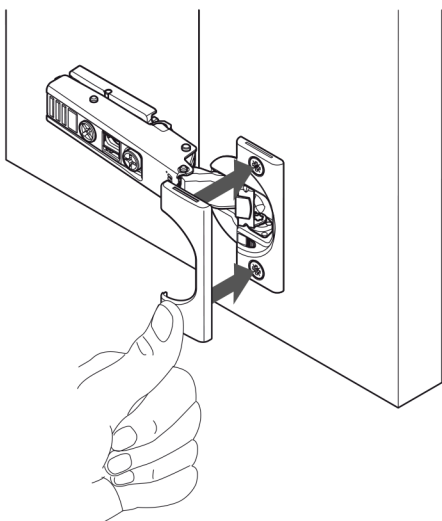
DISMOUNTING THE DOOR



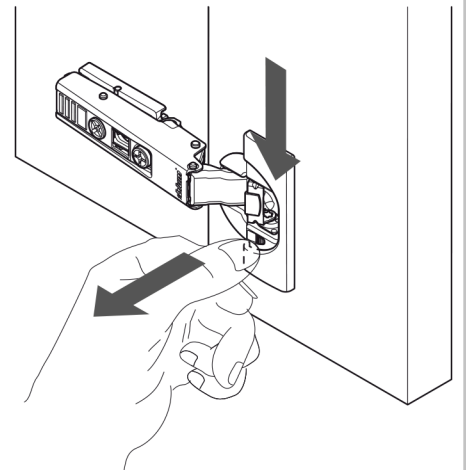
MOUNTING THE DOOR



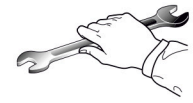
HINGE COVER



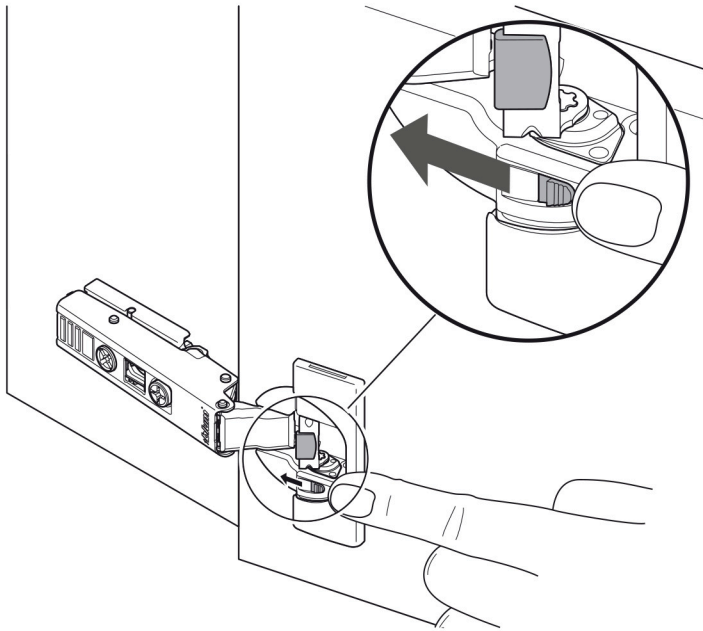
Mounting



Dismounting

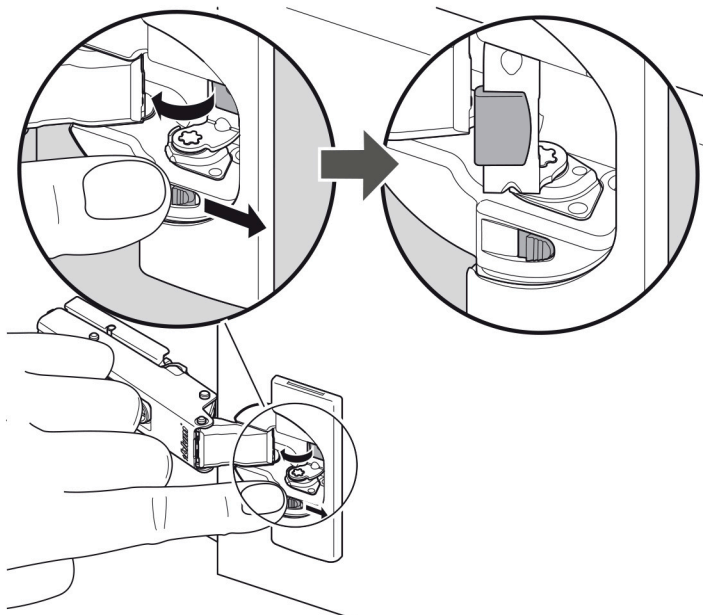
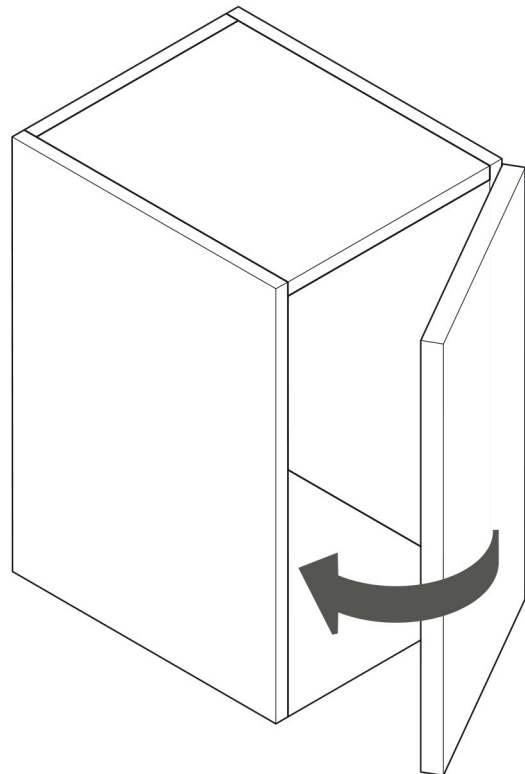


05



DEACTIVATION - NO SOFT-CLOSE ACTION

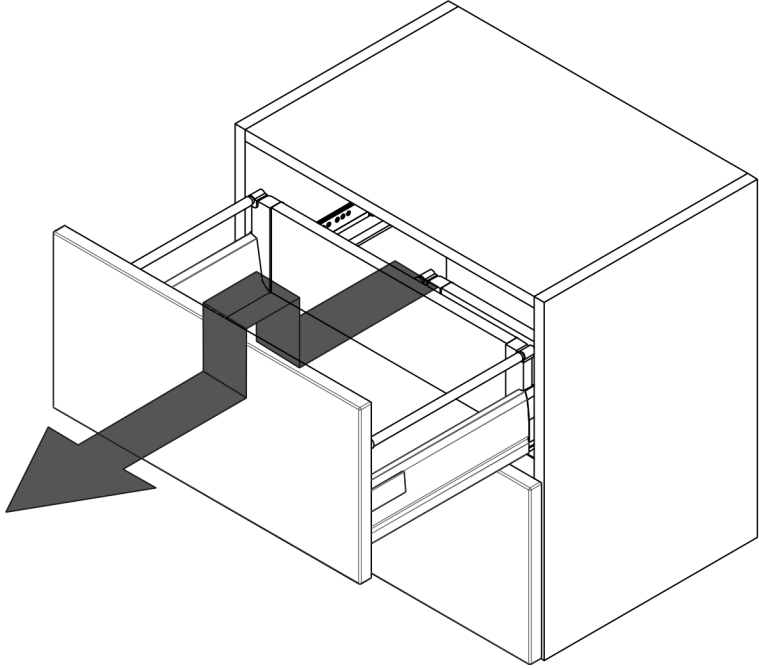
For small doors, if the door shuts too slowly, deactivate the damper on one of the two hinges



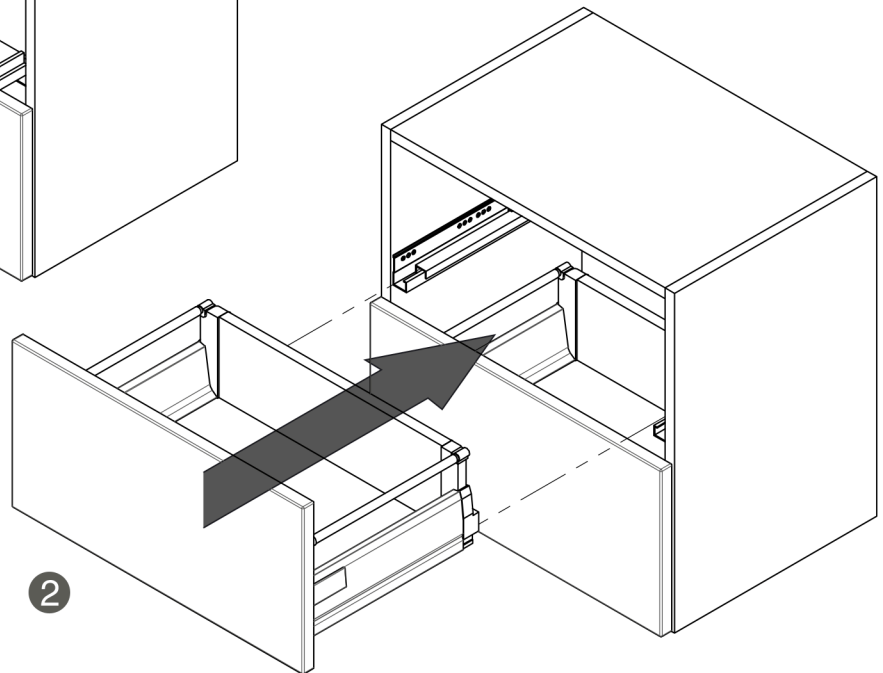
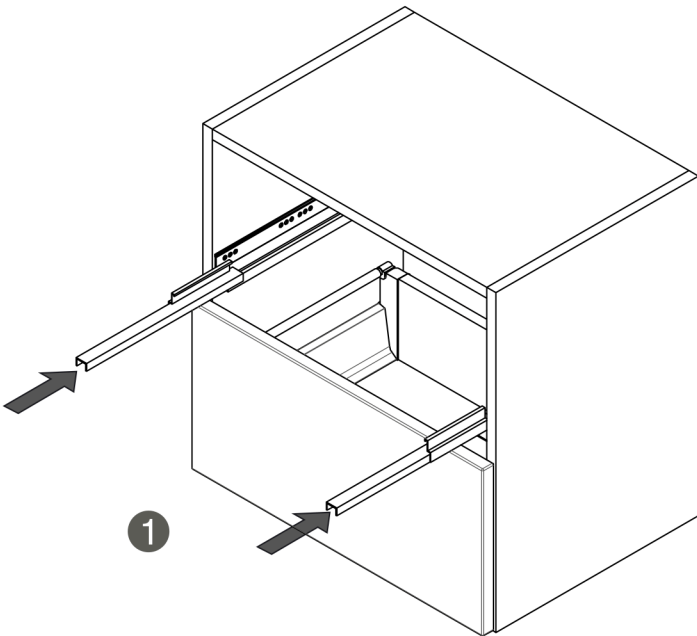
ACTIVATION - SOFT-CLOSE ACTION



Instructions to fit the drawer

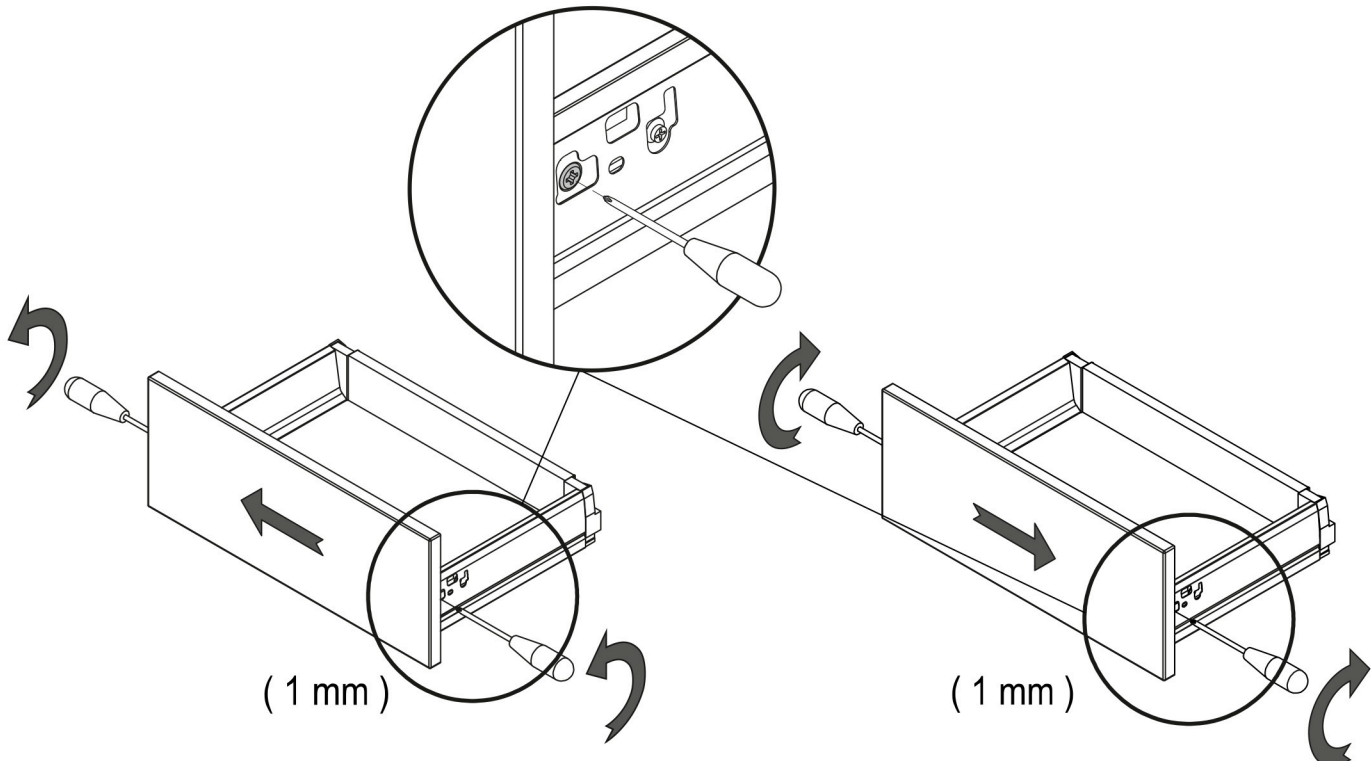
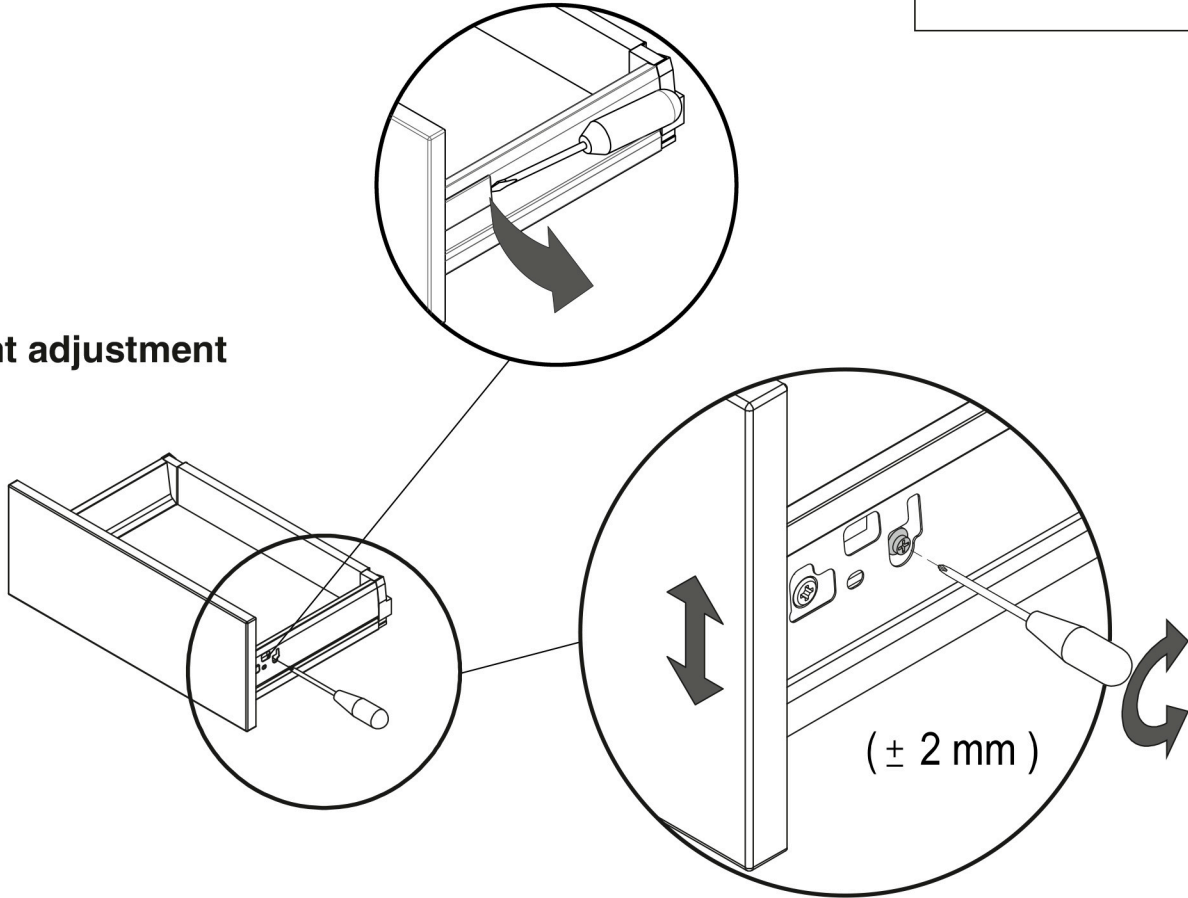


Instructions for removal of drawer





Height adjustment



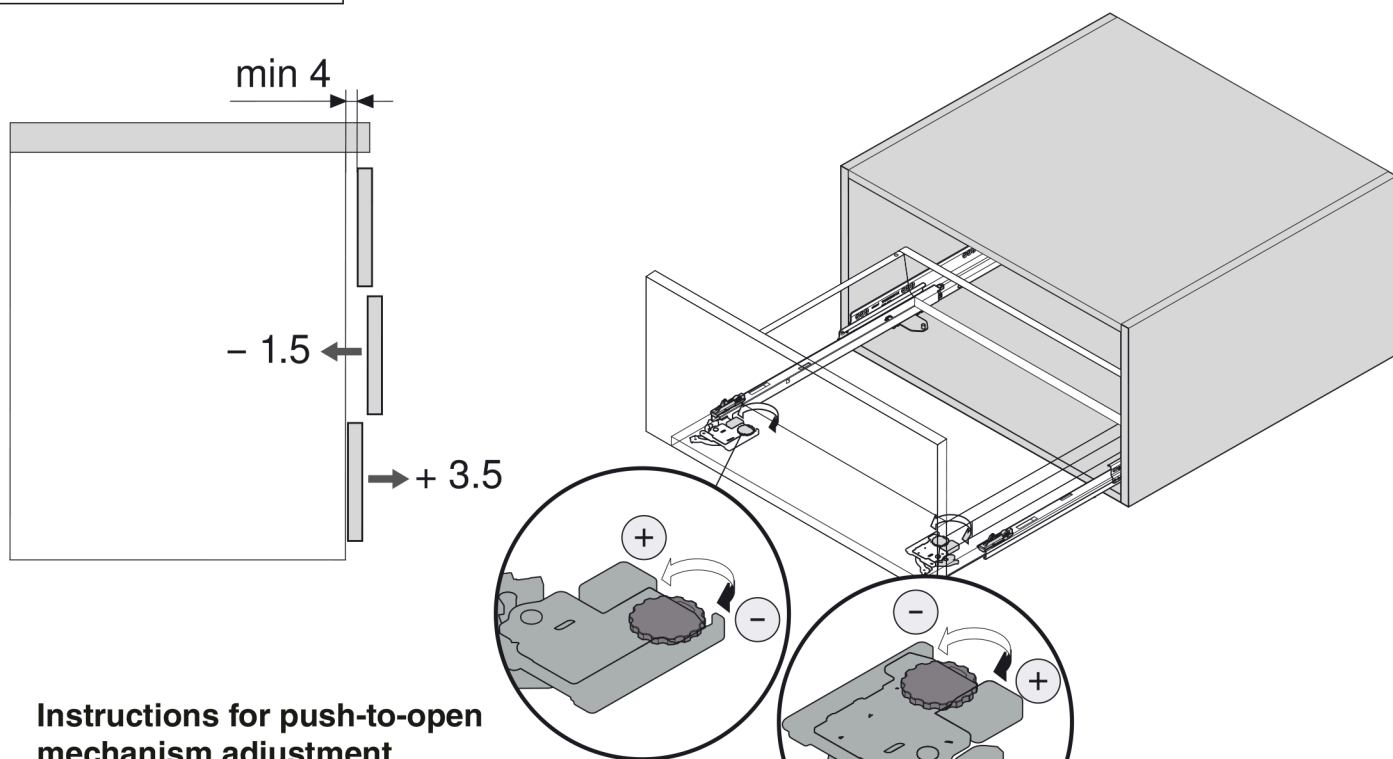
Width adjustment on the LH side

Width adjustment on the RH side



05

ADJUSTMENT OF DRAWERS



Instructions for push-to-open mechanism adjustment

Adjusting the gap between the front and the cabinet

