

HASTINGS  
TILE & BATH

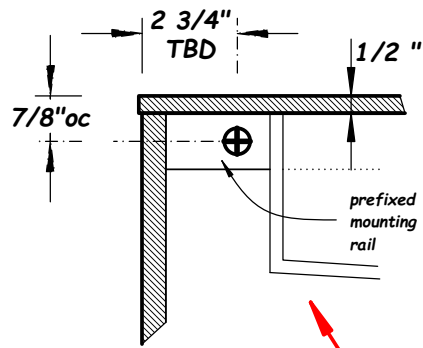
*Urban Freestanding*  
85 / 88cm Ht.

HASTING TILE AND BATH  
711-8 KOEHLER AVE  
RONKONKOMA, NY 11779  
1-800-351-0038

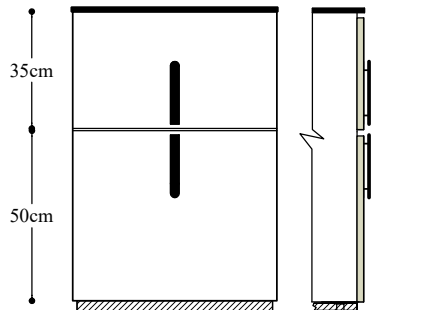
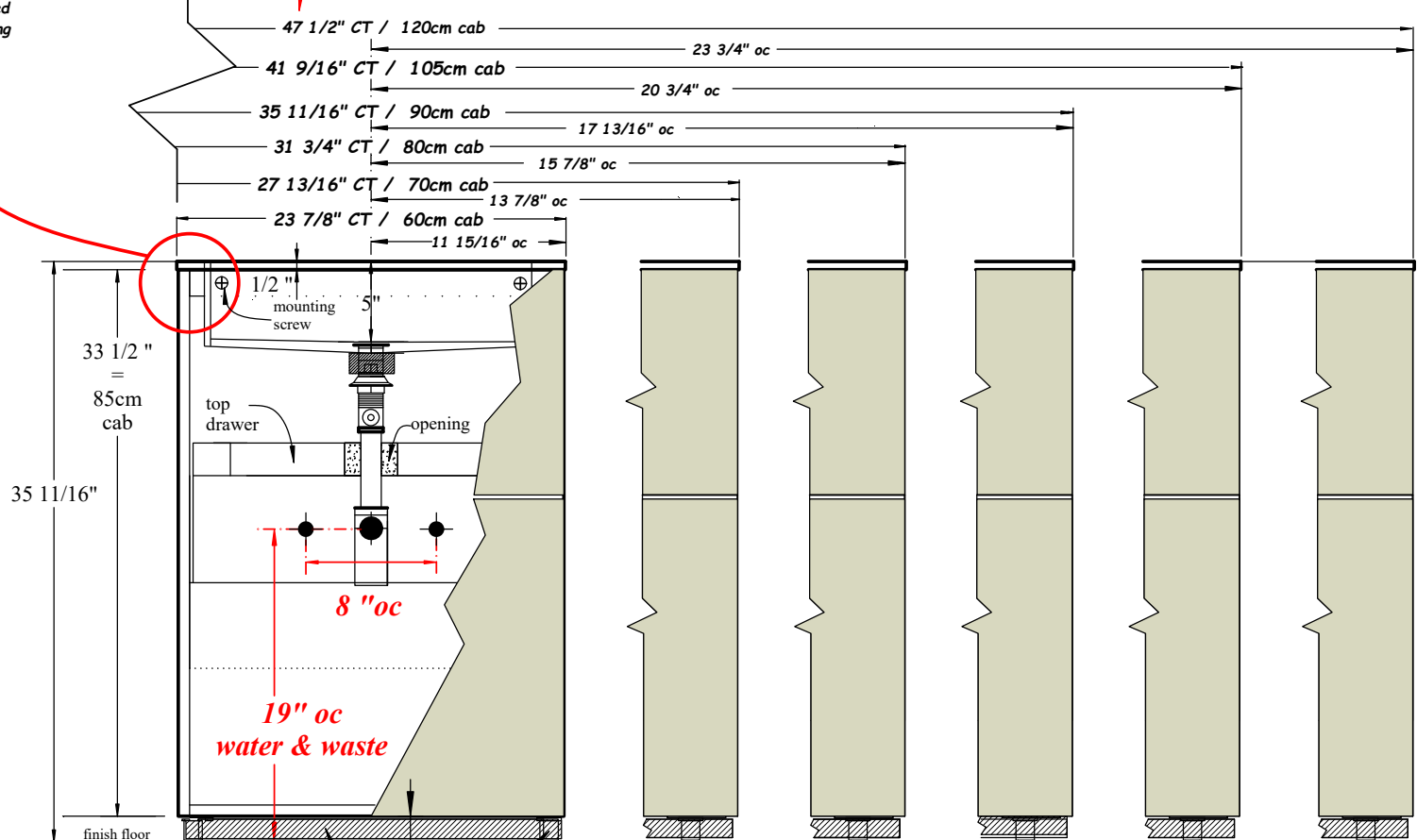
DATE: 12/16/20

BY: MJH

PG: 1



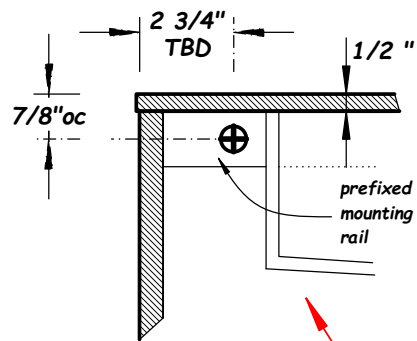
**ADD 1" to countertop LENGTH when using side panels.**



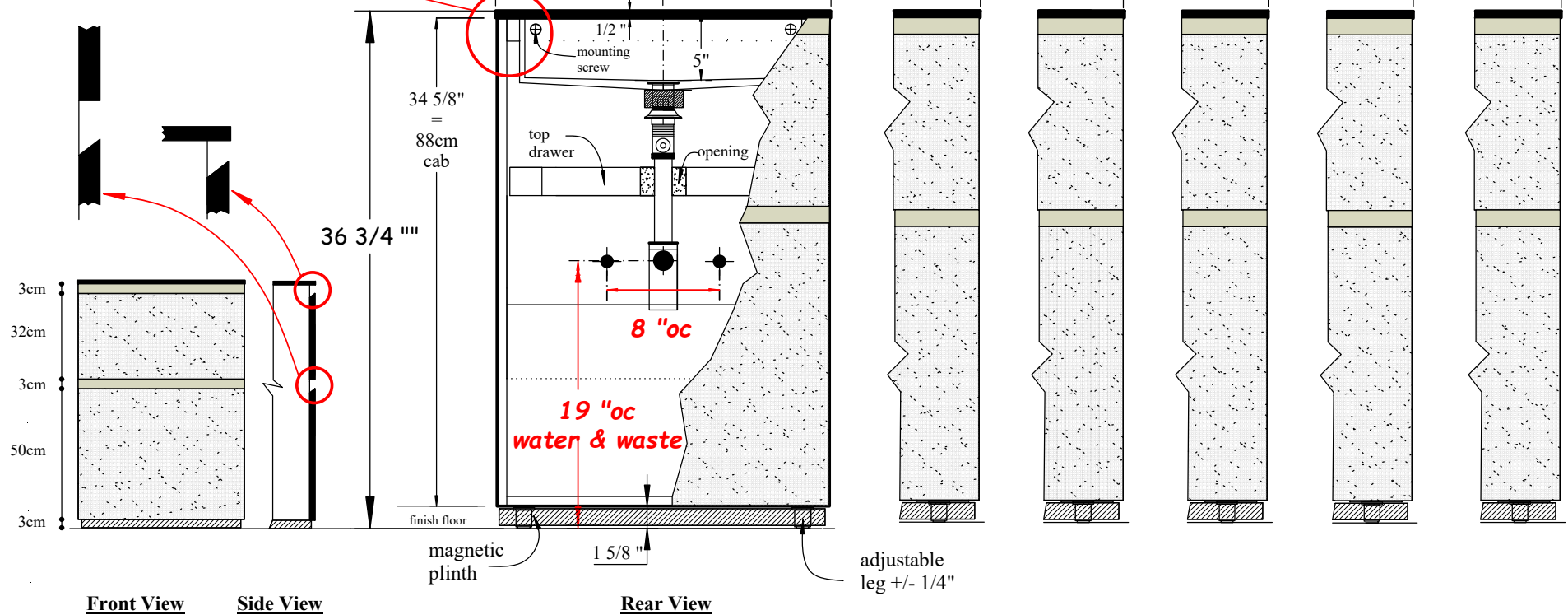
**Front View**      **Side View**

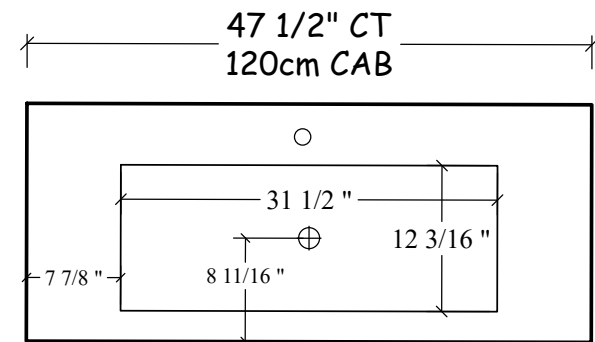
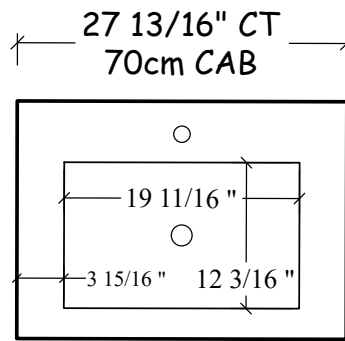
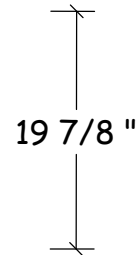
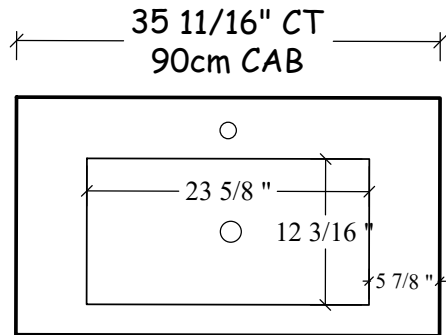
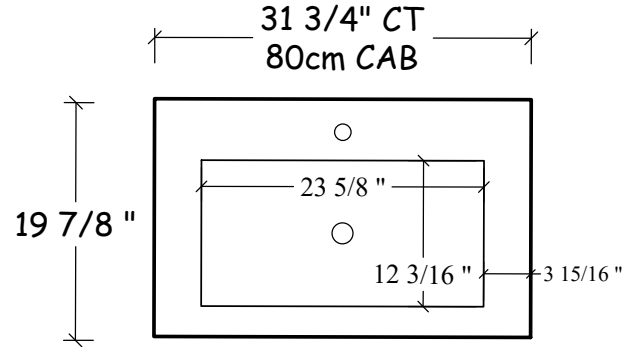
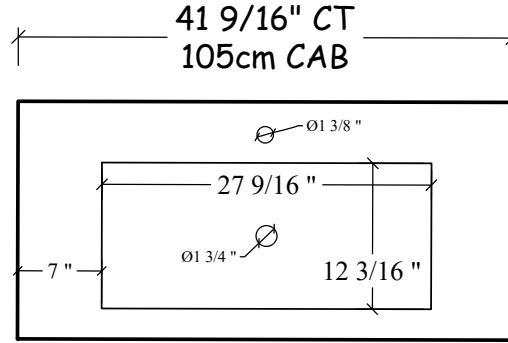
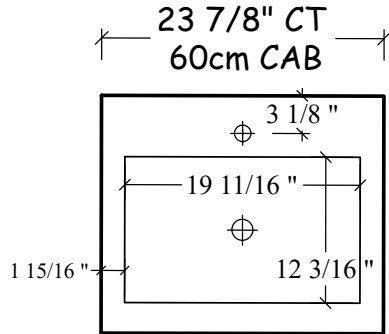
**Rear View**

magnetic plinth      1 5/8"      adjustable leg +/- 1/4"



**ADD 1" to countertop LENGTH when using side panels**





Plan View

Note:

- ... Basins drawn above represent the style & size of the "Rectangular Series".
- ... Other basin shapes, finishes & sizes are available, refer to the Hastings catalog.
- ... Countertops above represent sizing without cabinet sidepanels, **ADD 1" when using sidepanels.**